

# INR011 INSECT REARING LOW TEMP CHAMBER

## INR Series Overview

The INR series chambers are designed with insect rearing as the primary application, but can be used for other research studies well. Our INR series chambers are widely used among insect researchers and offer state of the art technology for pursuing various research studies.

### INR011

The INR011 is a bench top incubator designed to fit on 24" benchtops or stacked with optional racking.

### INR030

The INR030 is a single-door incubator.

### INR034

The INR034 is a single-door incubator designed for maximum capacity while still allowing passage through most commercial doorways.

### INR055

The INR055 is a 2-door incubator.

### INR084

The INR084 is a 3-door incubator.



Featured photo is the INR011 bench top incubator, shown with upgraded West Controller, open door view to show adjustable internal racks.



The INR011 benchtop incubator, closed door view.



## INR SERIES: INSECT REARING LOW TEMP CHAMBER

The INR series chambers include heating capabilities and cooling capabilities. These units excel as general all-round incubators. They have lower temperature specifications than our thermoelectrically cooled units and have associated greater heat removal capabilities. These units are ideal for locations where the ambient conditions cannot be controlled very well or there is a live heat load - such as for HPLCs, shakers, or other laboratory equipment. These units will also outperform our thermoelectric units where specifications call for fast "open door" recovery times.

As always, if you have different dimensions, specifications, probes, microprocessors etc., we can accommodate your needs.

### Performance

Darwin Chambers INR09 model comes standard with a temperature range of 2° C to 50° C with a temperature control of  $\pm 0.2^\circ$  C.

### Control System

All INR series models comes standard with a Fuji PXF4 (PID - Fuzzy Logic) controller providing a readout of actual and set-point values. This chamber comes with audible and visual alarms, ramp/soak, remote monitoring and a numeric password protection. Plenty of alternative customized options are available.

### Construction

Darwin Chambers INR09 model comes with a powder-coated galvanized steel exterior and 304 stainless steel interior, and 3 stainless steel shelves. All chambers come with a 2" access port.

See chart on next page for exact dimensions.

### Options

All INR series offer endless customized options. Common upgrades include more stainless steel shelving, humidification, stainless steel exterior, various lighting options including LED, fluorescent, dimming options and microprocessor control of lights, upgraded controllers (West EC-44, Future Design Touchpad, Watlow, Allen Bradley, etc.), and more.

### Services and Warranties

Darwin Chambers Company offers 24 hour technical support throughout the lifetime of your chamber. In addition to standard warranties, we also offer extended warranties for cooling components, parts and labor. We also provide qualifications, validations and preventive maintenance services at an additional cost. Please ask for a quote.

## INR011 Insect Rearing Low Temp Specifications (ambient 21° C)

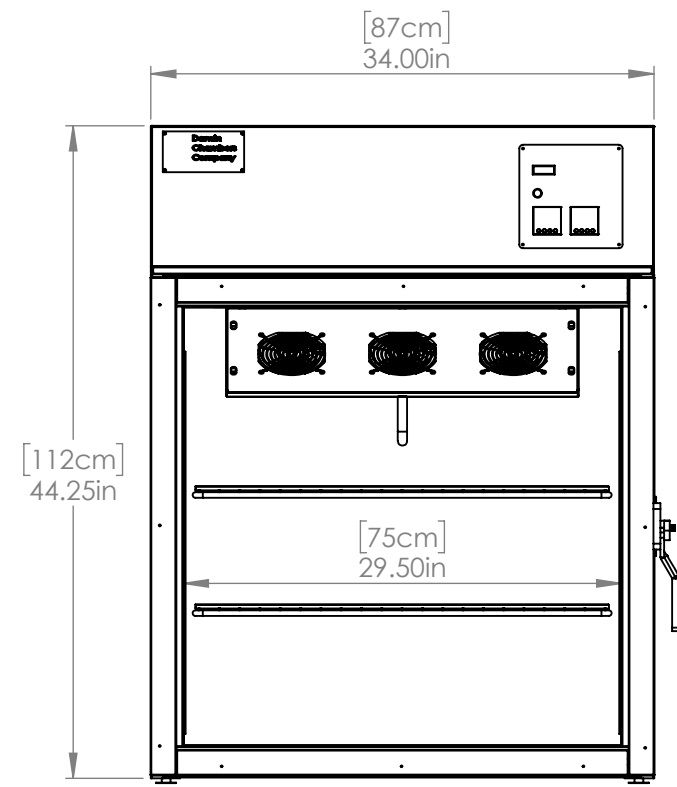
Performance	Standard	Customized Option
Temperature Range	2° C to 50° C	N/A
Ambient Temperature	21° C ± 3° C	Available
Temperature Control	± 0.2° C	Available
Control Resolution	0.1° C	Available
Temperature Sensor	NIST Traceable PT100 RTD Class A	Available

Control System	Standard	Customized Option
Controller	Fuji PXF4 (PID - Fuzzy Logic)	West EC-44, Future Design Touchpad, Watlow, Allen Bradley
Control Readout	Actual and Set-Point Values	Trending, Duty Cycle
Calibration Correction Capability	Standard 0.1 Resolution	Available
Uniformity Off Set	N/A	N/A
Alarm	Audible and Visual	Text, Email, Web Server, Remote Access
Alarm Type	Deviation in 0.1° C or 0.1% RH with Delay	Absolute 0.1 Resolution with Delay
Remote Monitoring	Dry Alarm Contact, RS 485 & Analog Output	Ethernet
Password Protection	Numeric	Numeric, Alpha Numeric
Audit Trail	N/A	Available
Uninterrupted Power Supply (Monitoring)	N/A	Available

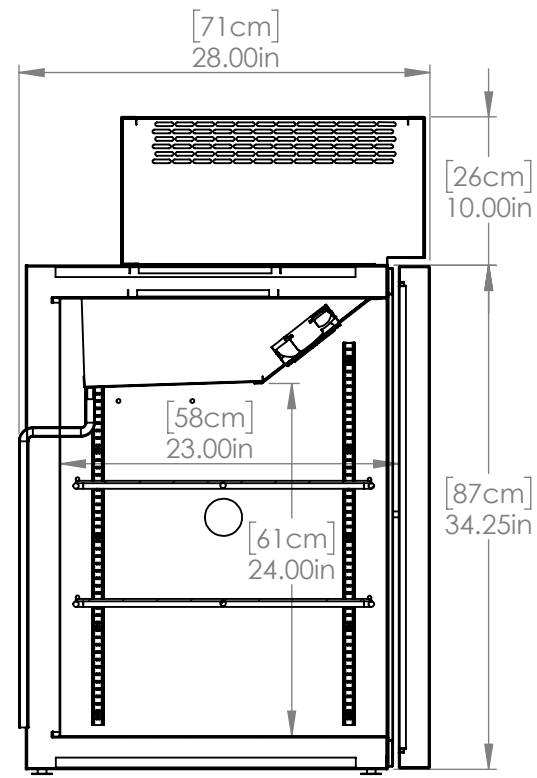
Construction	Standard	Customized Option
Exterior	18 gauge powder-coated aluminum door; powder-coated galvanized steel sides	316/304 Grade Stainless Steel
Interior	20 gauge 304 grade stainless steel door liner, top, bottom, back and sides	Available
Shelving	2 stainless steel adjustable 1" Increments	Available
Casters	leg levelers	Rack for stackable option or casters

Capacity & Dimensions	US Standard	Metric
Interior Capacity	10.5 ft <sup>3</sup>	297.33 liters
External Dimensions	Refer to Drawing Below	Refer to Drawing Below
Usable Internal Dimensions	Refer to Drawing Below	Refer to Drawing Below
Shelf Dimensions	Refer to Drawing Below	Refer to Drawing Below
Crated Weight	470 lbs	213.19 kg

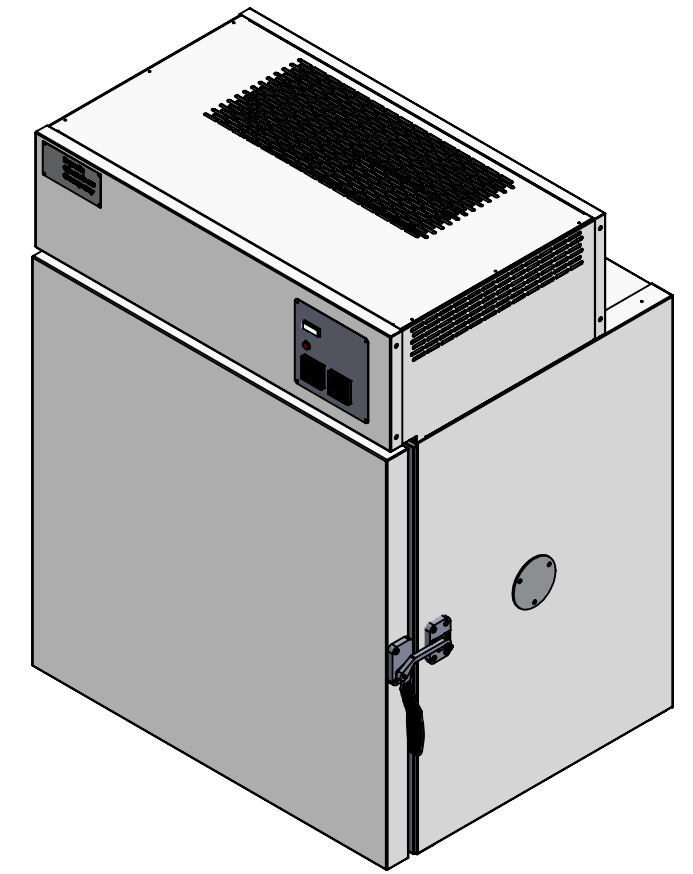
Electrical	US Standard	International
Voltage	115 / 60 / 1	230 / 50 / 1
RLA	5	2.5 With Step Down Transformer
Cord Length	9 ft	2.74m



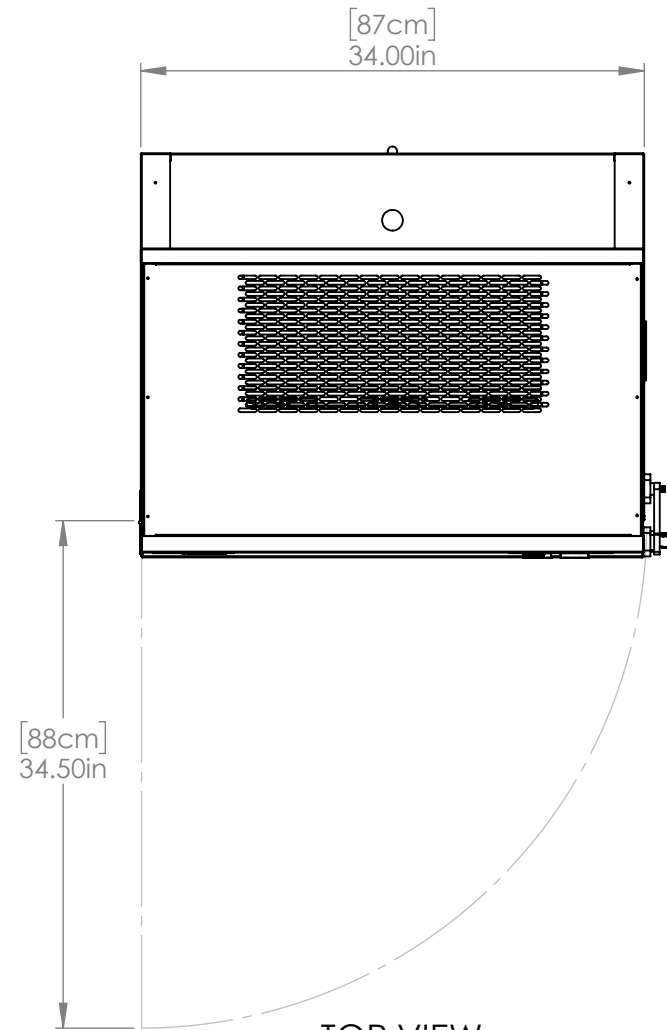
FRONT VIEW  
(DOOR REMOVED)



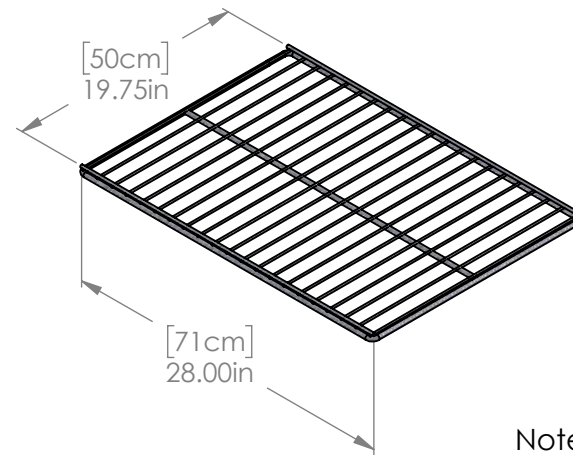
SIDE VIEW  
(SECTION)



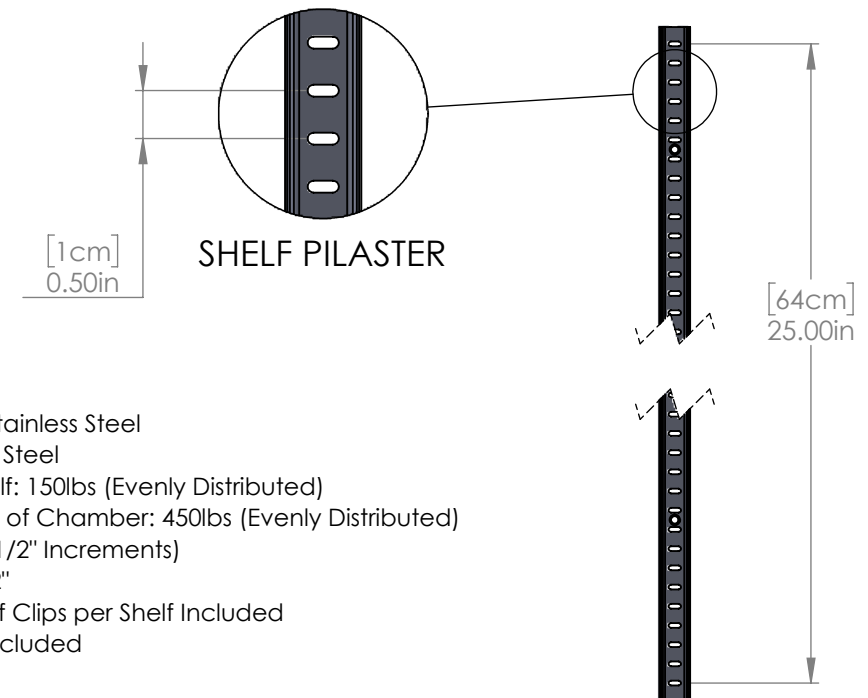
3D VIEW



TOP VIEW



WIRE SHELF



SHELF PILASTER

Notes:

- Shelf Material: 304 Stainless Steel
- Shelf Finish: Polished Steel
- Max Weight per Shelf: 150lbs (Evenly Distributed)
- Max Load Capacity of Chamber: 450lbs (Evenly Distributed)
- Pilaster Height: 25" (1/2" Increments)
- Minimum Spacing: 2"
- 4 Stainless Steel Shelf Clips per Shelf Included
- 2" I.D. Access Port Included

**Note:** Tolerances are 0.25" unless otherwise stated  
\*Dimensions and components are subject to change without notice.