

Darwin Chamber's HT05 Low Temp Oven for Decontamination



Can heat up to 96 masks at
one 30 minute interval
Mask dimensions: 5"H x 5.5"W x 2.125"D

Available for
Immediate Sale!

\$2,995.00

30 minutes
at
70°C

With face mask shortages due to the Coronavirus, scientists from Stanford have conducted a study confirming that the N95 masks can be decontaminated. Therefore, the masks are suitable for reuse. The HT05 can also be used for tools, airport security items, safety glasses, gloves, and much more.

sales@darwinchambers.com

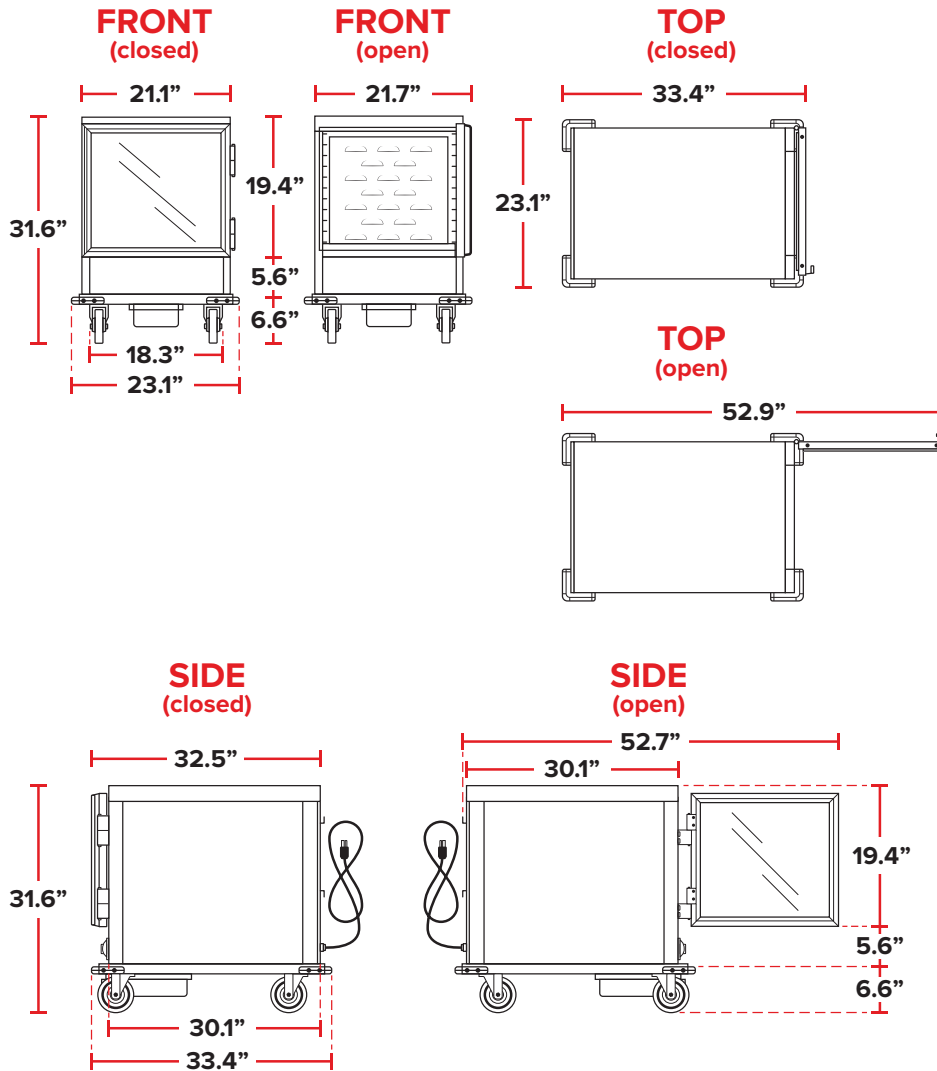
314-534-3111

HT05 Lab Oven Specifications (ambient 21° C)

- **Unit is programmed to run 40° C to 85° C**
- **Fuji Fuzzy logic PID controller with process and set value dual display located on bottom drawer. Simple repair or replace**
- **High and low deviation audible alarms with hold feature, delay in minutes. Alarms can be set in 0.1 increments**
- **Aluminum interior and exterior, lightweight construction**
- **Plastic polycarbonate view window, alleviating glass breakage concerns**
- **180° full swing door with full length gasket and magnet door latch**
- **Door has stainless steel hinge that is readily reversible in field**
- **Fully insulated cabinet**
- **Built in corner bumpers**
- **Locking casters**
- **Contains 6 (18" x 26") perforated aluminum pans**
- **Fan forced air convected heat**



SPECIFICATIONS



TECHNICAL DATA

| | |
|--|------------------------------------|
| Overall Width | 23.1" |
| Overall Depth | 33.4" |
| Overall Height | 31.6" |
| Cabinet Width | 21.1" |
| Cabinet Depth | 30.1" |
| Cabinet Height | 19.4" |
| Voltage | 120V |
| Wattage | 1500W |
| Hertz | 60Hz |
| Amps | 12 Amps |
| Phase | 1 |
| Insulated | Yes |
| Control Type | Fuzzy Logic PID |
| Heat Mode | 40°C to 85°C |
| Door Type | Clear |
| Slide Type | Lip-load |
| Full Size (18" x 26") Sheet Pan Capacity | 12 Pans, unit equipped with 6 pans |
| Casters | Locking casters |

CERTIFICATIONS & MARKINGS



5-15P