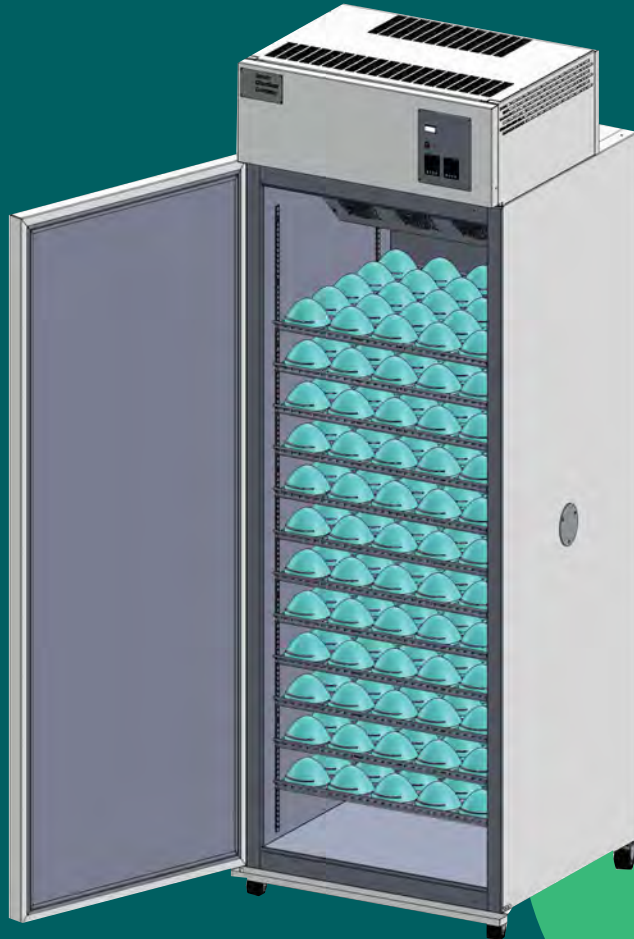


Darwin Chamber's HH034 Low Temp Humidified Oven for Decontamination

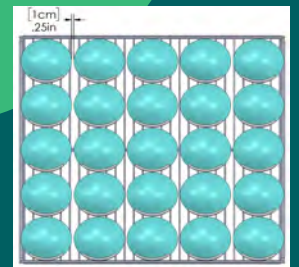


Available for
Immediate Sale!

\$8,995.00

15-30 minutes
at
60°C/80% RH

Can heat up to 300 masks at
one 30 minute interval
Mask dimensions: 5"H x 5.5"W x 2.125"D
4" Shelf Spacing



With face mask shortages due to the Coronavirus, scientists from CDC have conducted a study confirming that the N95 masks can be decontaminated with heat and humidity. Therefore, the masks are suitable for reuse. The HH034 can also be used for tools, airport security items, safety glasses, gloves, PPE, and much more.

sales@darwinchambers.com

314-534-3111

HH034 Lab Oven Specifications

| Performance | Standard |
|-----------------------------|--|
| Temperature Setpoint | 60°C, Temperature Range 40°C to 70°C |
| Ambient Temperature | Ambient 18° C to 27° C |
| Temperature Control | ±.2° C |
| Control Resolution | ±.1° C |
| Temperature Sensor | NIST Traceable PT100 Class A RTD |
| Humidity Setpoint | 80% RH, RH Range 5% to 100% RH * Limited Dew Point of 62°C for 8 Hour Daily Limits |
| Humidity Control | ±0.3% RH |
| Control Resolution | 0.1% |
| Humidity Sensor | NIST Traceable Rotronics HC2A-S |

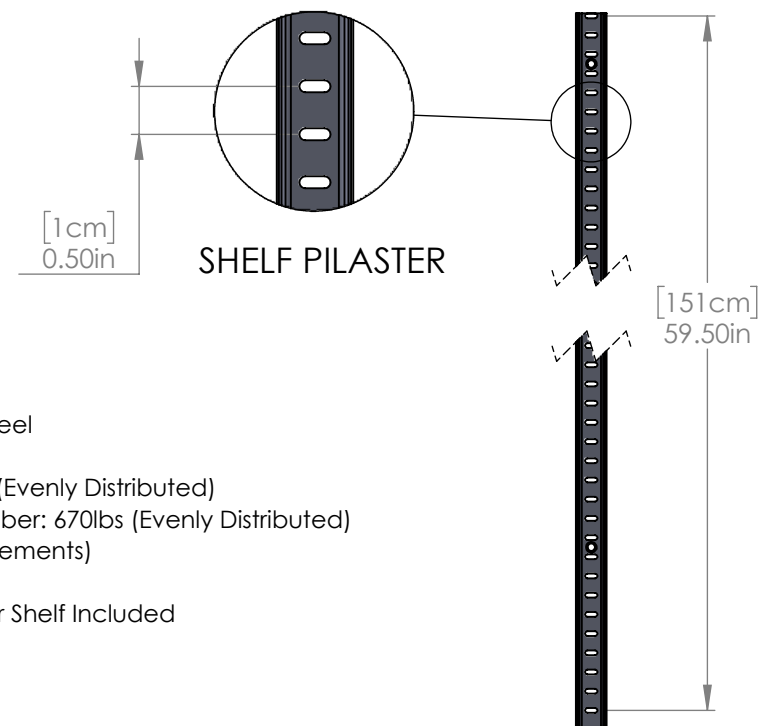
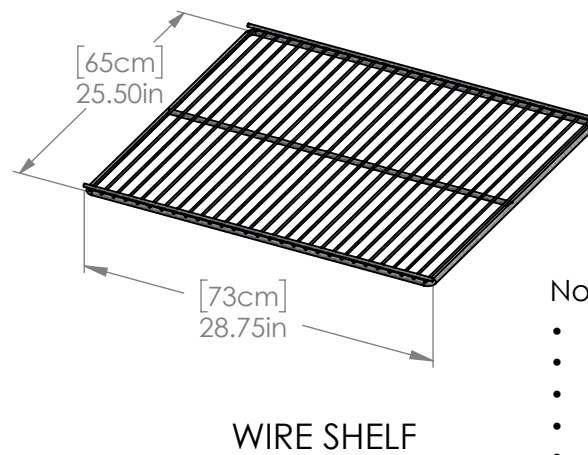
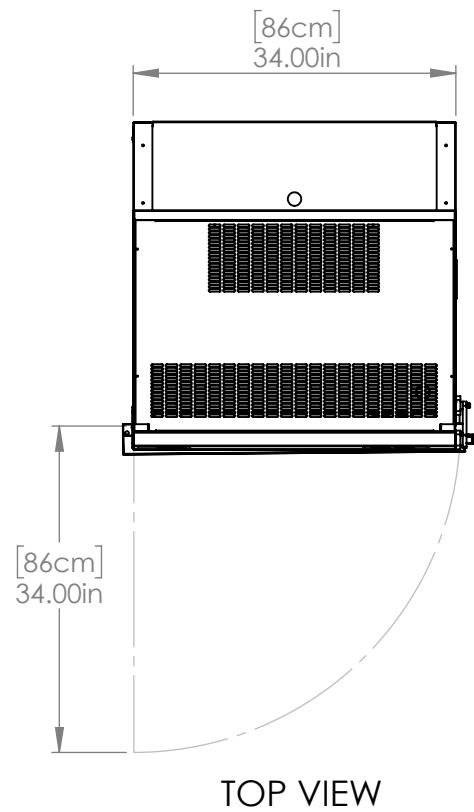
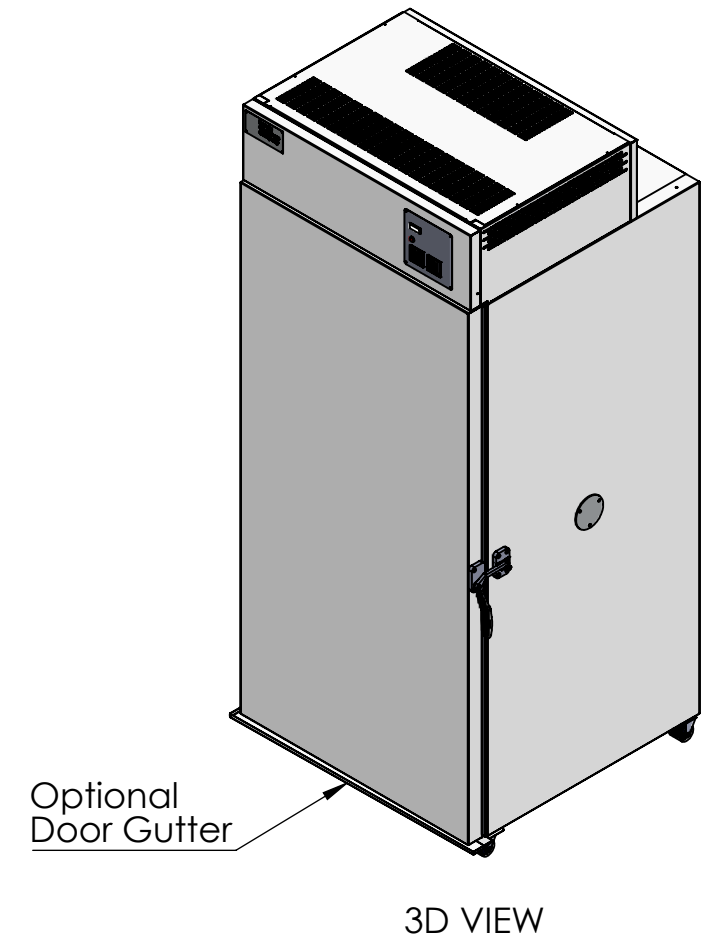
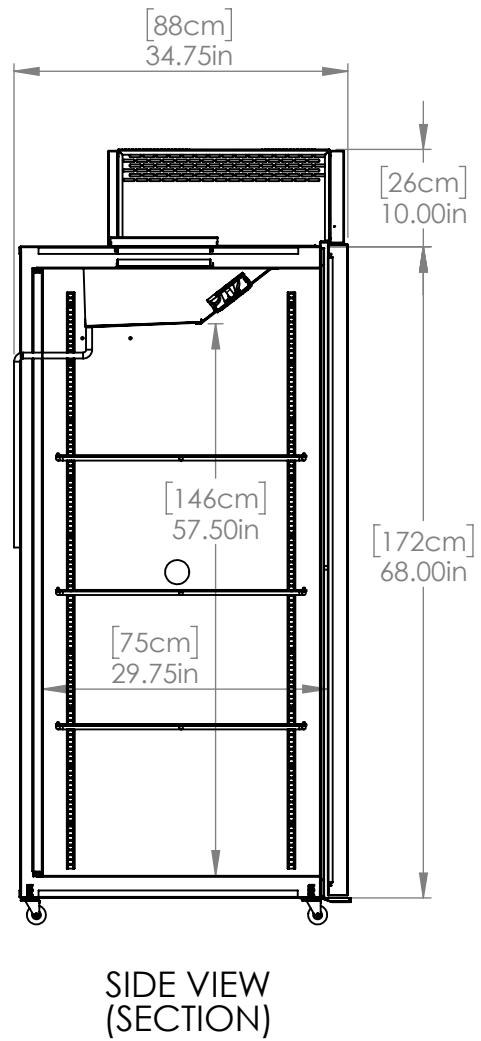
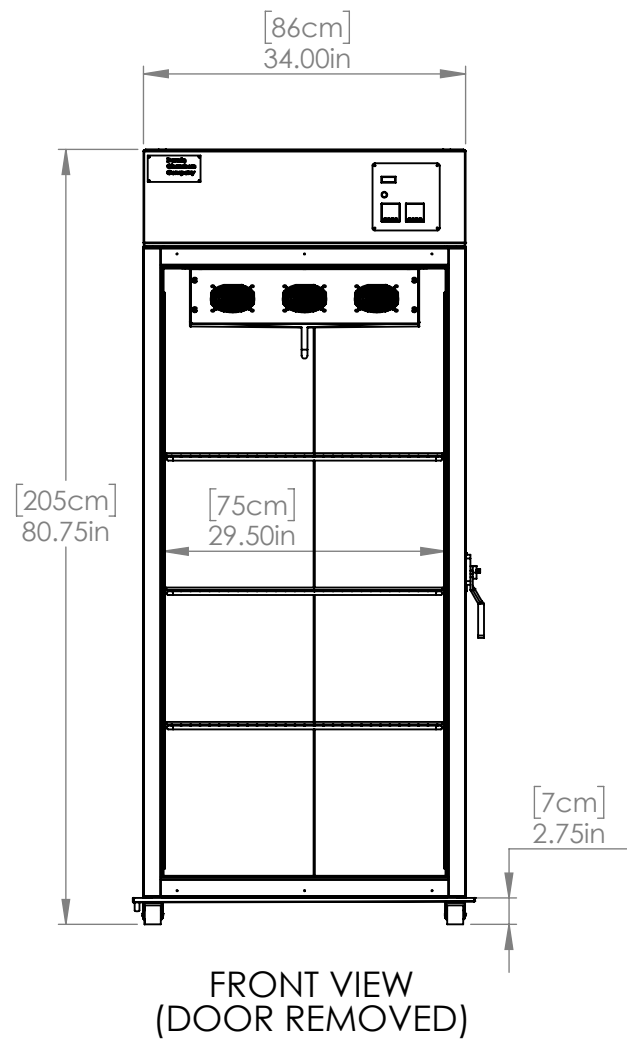
| Control System | Standard |
|--|--|
| Controller | Fuji PXF4 Fuzzy logic PID Control for Temperature and Humidity. Full-Time Temperature Mode for Humidity to Run Product Through a Wet then Dry Cycle (High Temperature). 8 Programs with Up to 8 Steps Consisting of a Ramp and Soak. |
| Control Readout | Process Value and Set Point Real Time Display |
| Calibration Correction Capability | 2 Point (Low and High) |
| Uniformity Off Set | Standard 0.1 Resolution |
| Alarm | Separate High/ Low Deviation Alarm with Time Delay in Minutes. Disables Impacted Components to Prevent Run Away Temperature and Humidity |
| Alarm Type | Deviation in 0.1° C or 0.1% RH with Delay |
| Remote Monitoring | Dry Contact and Serial MODBUS RTU (RS485) |
| Password Protection | Hexidecimal (3 User Levels) |
| Process Offset | For Mapping Uniformity Correction on Real Time Display |

| Construction | Standard |
|-------------------------|---|
| Exterior | 18-Gauge Galvanized Steel, Powder Coated |
| Interior | 20-Gauge 304 Grade - #4 Finish Stainless Steel |
| Shelving | 12 Stainless Steel Wire Shelves, Adjustable by 1/2" Increments. Supports Up to 150 lbs of Evenly Distributed Weight |
| Legs/Casters | 2.75" H - QTY-4 Caster Wheels, Weight Capacity is 300 lbs Per Caster |
| Panel Insulation | 2" Thick Insulation; Closed Cell Polyisocyanurate (Polyiso) Foam Core and Polyurethane Insulation. Insulation Manufacturer Utilizes CFC Free Blowing Agent That Has Zero ODP. |
| Doors | 0.060 Powder Coated Aluminum with Welded Seams. Door is Installed with 2 Left Hinges. *Refer to drawing for standard door location. |
| Access Port | Chamber Comes with 2" I.D Access Port, Cover and Insulated Plug. See Drawing for Location. |

| Capacity & Dimensions | US Standard | Metric |
|----------------------------|---|---|
| Interior Capacity | 29.20 ft ³ | 827 liters |
| External Dimensions | 34.00"W x 34.75"D x 80.75"H (with casters) 34.00" W x 34.75" D x 78.00" H (without casters) *Can be Field Adjusted to Fit Through Minimum Door Size of 36" W x 80"H | 86cm W x 88cm D x 205cm H (with casters) 86cm W x 88cm D x 198cm H (without casters) |
| Internal Dimensions | 29.50"W x 29.75"D x 57.50"H | 75cm W x 75cm D x 146cm H |
| Shelf Dimensions | 28.75" W x 25.50" D | 73cm W x 65cm D |
| Crated Weight | 745 lbs | 338 kg |

| Electrical | US Standard | International |
|---|---|--|
| Voltage (dedicated circuit required) | 115v / 60hz / 1ph | 230v / 50hz / 1ph |
| RLA | 2A | TBD |
| Cord Length | 9 ft Cord with NEMA 5-15 Plug | 2.74m (Specify Plug) |
| Drain Line | Chambers are Equipped with 1/2" I.D. Polytube. Floor Drain or Sink Required Adjacent to Chamber | Condensate Pump Option Available, if Floor Drain is Not Available Nearby |





Notes:

- Shelf Material: 304 Stainless Steel
- Shelf Finish: Polished Steel
- Max Weight per Shelf: 150lbs (Evenly Distributed)
- Max Load Capacity of Chamber: 670lbs (Evenly Distributed)
- Pilaster Height: 59.5" (1/2" Increments)
- Minimum Spacing: 2"
- 4 Stainless Steel Shelf Clips per Shelf Included
- 2" I.D. Access Port Included
- Dimensions Do Not Include:
 1. 2" W of Door Latch
 2. 35.5" W of Door Gutter

Note: Tolerances are 0.25" unless otherwise stated
 *Dimensions and components are subject to change without notice.