

GENERAL PURPOSE MANUAL DEFROST FREEZER

Series Overview

The manual defrost freezers are for general purpose applications where temperature control that needs to be precise is not essential. Designed to operate without product damaging auto defrost cycles. *Periodic manual defrosting is required

GPMDF20

The one solid swing door chamber designed for maximum capacity while still allowing passage through most commercial doorways.

Performance

Unit comes standard with a temperature range of -15°C to -25°C . Products designed to operate in ambient room temperatures not to exceed 75°F / 50% RH.

Control System

All series models comes standard with a mechanical thermostat

Warranties

These chambers come with a one year parts and labor warranty, plus an additional four year compressor parts warranty.

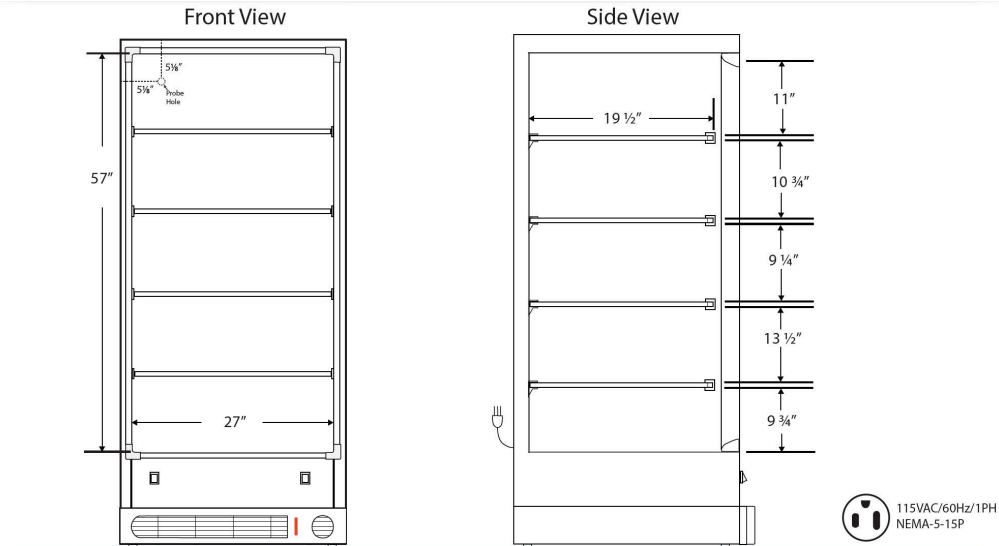


Construction

Freezer is constructed of white textured cabinet and door.

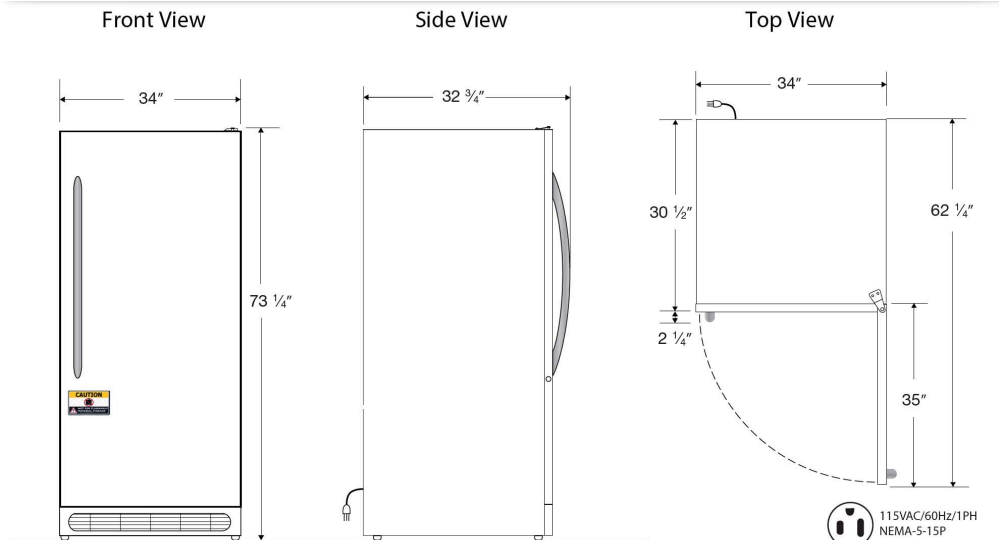
- 4 fixed shelves
- 3/8" probe access port
- One solid swing door, self-closing (energy efficient, double pane vacuum insulated), right hinged, not reversible
- Magnetic door gasket for positive seal with keyed door lock and heavy duty door handle
- Leveling legs
- High density urethane foam cabinet and door insulation
- CFC-free refrigerant (R134a), foam insulation and packaging
- Exterior dimensions: 34" W x 32.75"D x 73.25"H
- Shipping weight: 230 lbs
- Voltage: 115 / 60 / 5 Amps, 1/3 HP
- UL/C-UL listed

Manual Defrost Freezer Technical Drawings



Cu. Ft	Defrost	Door	Int Door	Shelves	Interior Dim.			Refrigerant	H.P.	Amps	Weight
					W"	D"	H"				
20	Manual	1 Solid	0	4 Fixed	27	19 1/2	57	R134a	1/3	5	170 lbs.

Note: Interior dimensions are estimates and subject to change without notice.



Cu. Ft	Defrost	Door	Int Door	Shelves	Interior Dim.			Refrigerant	H.P.	Amps	Weight
					W"	D"	H"				
20	Manual	1 Solid	0	4 Fixed	34	32 3/4	77 1/4	R134a	1/3	5	170 lbs.