

# GENERAL PURPOSE MANUAL DEFROST FREEZER

## Series Overview

The manual defrost freezers are for general purpose applications where temperature control that needs to be precise is not essential. Designed to operate without product damaging auto defrost cycles. \*Periodic manual defrosting is required

## GPMDF-20C

The one solid door chamber designed for maximum capacity while still allowing passage through most commercial doorways.



## Performance

Unit comes standard with a temperature range of  $-15^{\circ}\text{C}$  to  $-25^{\circ}\text{C}$ . Products designed to operate in ambient room temperatures not to exceed  $75^{\circ}\text{F}$  / 50% RH.

## Control System

All series models comes standard with mechanical thermostat

## Warranties

These chambers come with a one year parts and labor warranty, plus an additional four year compressor parts warranty.

## Construction

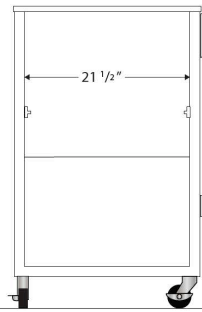
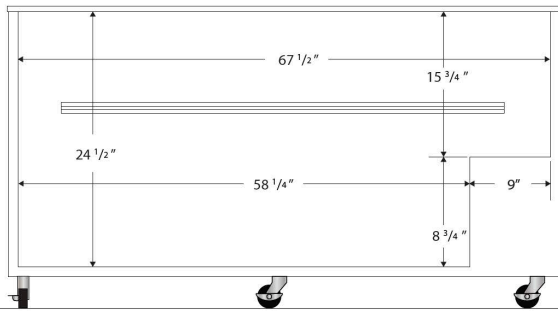
Freezer is constructed of white cabinet and lid

- 2 removable baskets
- 3/8" probe access port
- One solid door, self-closing (energy efficient, double pane vacuum insulated)
- Magnetic door gasket for positive seal with keyed door lock and a recessed door handle
- Swivel casters (2 3/4")/ interchangeable leveling legs
- LED interior light
- High density urethane foam cabinet and door insulation
- CFC-free refrigerant (R134a), foam insulation and packaging
- Exterior dimensions: 78.38" W x 29.5"D x 34"H (with casters), 74.38" W x 29.5" D x 31.25"H (without casters), (Height with hinged door open  $90^{\circ}$  is 61.75")
- Shipping weight: 241 lbs
- Voltage: 115 / 60 / 5 Amps, 1/4 HP
- Manual defrost

## Manual Defrost Freezer Technical Drawings

Front View

Side View



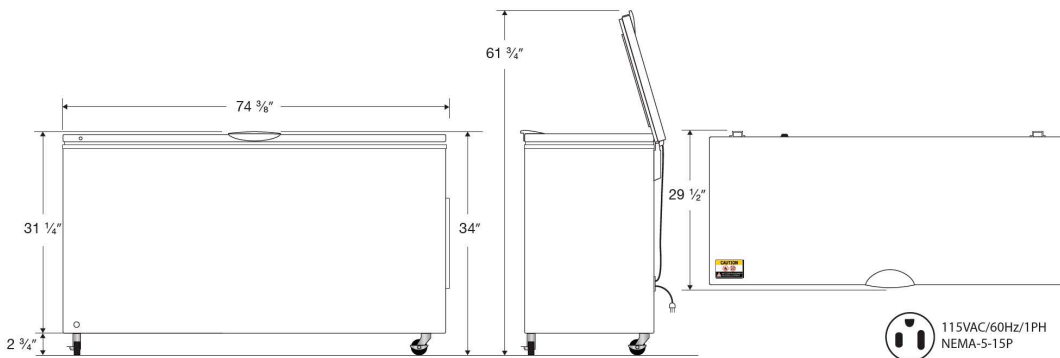
Cu. Ft	Defrost	Door	Int Door	Shelves	Interior Dim.			Refrigerant	H.P.	Amps	Weight
					W"	D"	H"				
20	Manual	1 Solid	0	2 Baskets	67 1/2	21 1/2	24 1/2	R134a	1/4	5	181 lbs.

Note: Interior dimensions are estimates and subject to change without notice

Front View

Side View

Top View



Cu. Ft	Defrost	Door	Int Door	Shelves	Interior Dim.			Refrigerant	H.P.	Amps	Weight
					W"	D"	H"				
20	Manual	1 Solid	0	2 Baskets	74 3/8	29 1/2	34	R134a	1/4	5	181 lbs.