

# FREESTANDING UNDERCOUNTER REFRIGERATOR

## Series Overview

The freestanding countertop refrigerator features a microprocessor temperature controller and display. This allows for precise temperature control, verification and recovery. An interior fan, forced-draft air circulation system is used and provides temperature uniformity when the door is opened. Temperature display and alarm offers product security. Units require 4" of clearance around the back and sides of the unit for ventilation.

## FSUR-0504W

One solid swing door chamber designed for maximum capacity while still allowing passage through most commercial doorways.

## Performance

Unit comes standard with a temperature range of 0° C to 10° C. Cycle defrost. Products designed to operate in ambient room temperatures not to exceed 75° F / 50% RH.

## Control System

All series models come standard with a digital microprocessor temperature controller providing a readout of actual and set-point values. This chamber comes with audible/visual alarms, high and low temperature alarms with remote alarm contacts.

## Warranties

These chambers come with a one year parts and labor warranty.



The Premier Freestanding Undercounter Refrigerators & Freezers take a large step forward in performance from past general purpose units; offering a digital temperature display and alarm module coupled with a microprocessor temperature controller.



## Construction

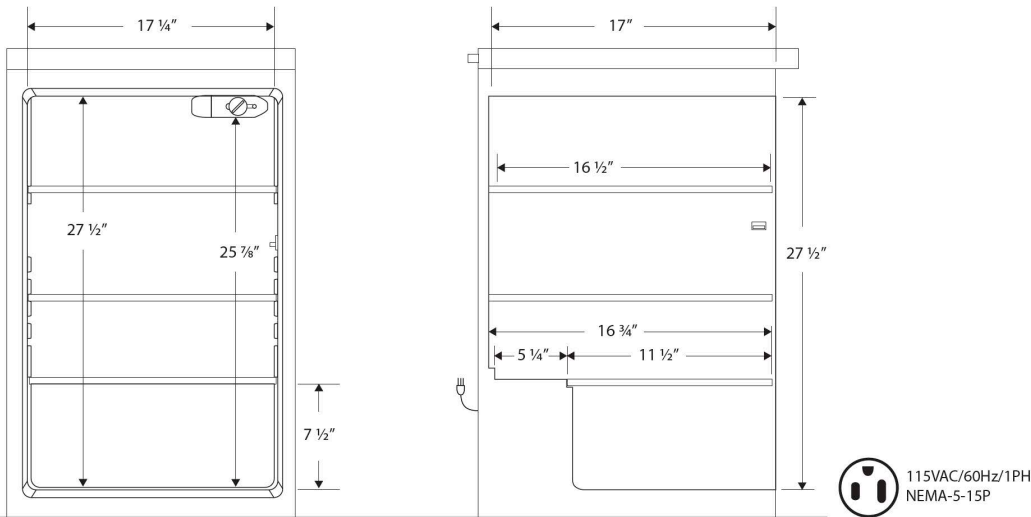
Refrigerator is constructed of white cabinet and door.

- 3 shelves (1 fixed/2 adjustable)
- One solid swing door, right hinged, not reversible
- Magnetic door gasket for positive seal with keyed door lock and recessed door handle
- Leveling legs
- Interior light
- Probe access port (3/8")
- High density urethane foam cabinet and door insulation
- HFC-free refrigerant (R600a), foam insulation and packaging
- Exterior dimensions: 20.25" W x 22"D x 31.5"H
- Shipping weight: 86 lbs
- Voltage: 115 / 60 / .90 Amps, 1/7 HP
- UL/C-UL listed

## Freestanding Undercounter Refrigerator Technical Drawings

Front View

Side View



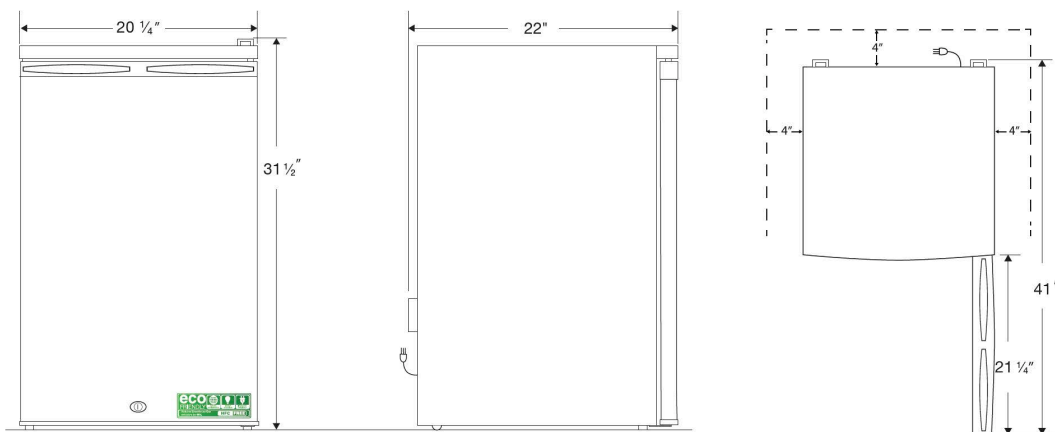
Cu. Ft	Defrost	Door	Int Door	Shelves	Interior Dim.			Refrigerant	H.P.	Amps	Weight
					W"	D"	H"				
5	Cycle	1 Solid	0	2 Adj/1 Fixed	17 1/4	17	27 1/2	R600a	1/2	.90	69 lbs.

Note: Interior dimensions are estimates and subject to change without notice

Front View

Side View

Top View



**NOTE: Ventilation Requirements – Minimum 4" clearance on sides and back**

115VAC/60Hz/1PH  
NEMA-5-15P

Cu. Ft	Defrost	Door	Int Door	Shelves	Interior Dim.			Refrigerant	H.P.	Amps	Weight
					W"	D"	H"				
5	Cycle	1 Solid	0	2 Adj/1 Fixed	20 1/4	22	31 1/2	R600a	1/7	.90	69 lbs.