

# FREESTANDING UNDERCOUNTER FREEZER

## Series Overview

The freestanding countertop freezer features a microprocessor temperature controller and display. This allows for precise temperature control, verification and recovery. Temperature display and alarm offers product security. Units require 4" of clearance around the back and sides of the unit for ventilation. \*Periodic manual defrosting is required

## FSUF-0420W

One solid swing door chamber designed for maximum capacity while still allowing passage through most commercial doorways.

## Performance

Unit comes standard with a temperature range of -15° C to -25° C. Manual defrost. Products designed to operate in ambient room temperatures not to exceed 75° F / 50% RH.

## Control System

All series models come standard with a digital microprocessor temperature controller providing a readout of actual and set-point values. This chamber comes with audible/visual alarms, high and low temperature alarms with remote alarm contacts.

## Warranties

These chambers come with a one year parts and labor warranty.



The Premier Freestanding Undercounter Refrigerators & Freezers take a large step forward in performance from past general purpose units; offering a digital temperature display and alarm module coupled with a microprocessor temperature controller.

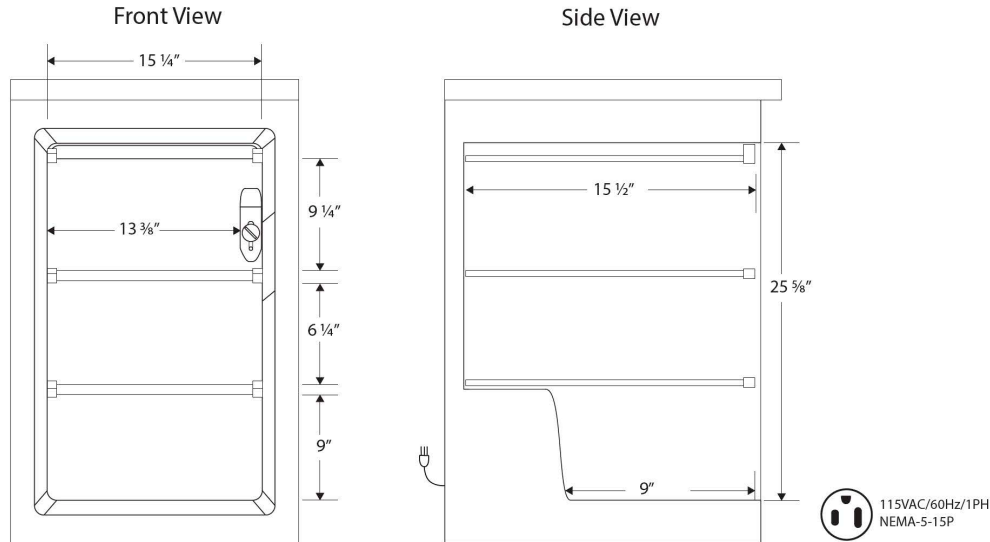


## Construction

Freezer is constructed of white cabinet and door.

- 2 fixed shelves
- One solid swing door, right hinged, not reversible
- Magnetic door gasket for positive seal with keyed door lock and recessed door handle
- Leveling legs
- Probe access port (3/8")
- High density urethane foam cabinet and door insulation
- HFC-free refrigerant (R600a), foam insulation and packaging
- Exterior dimensions: 20.25" W x 21.63"D x 31.5"H
- Shipping weight: 94 lbs
- Voltage: 115 / 60 / .90 Amps, 1/7 HP
- UL/C-UL listed

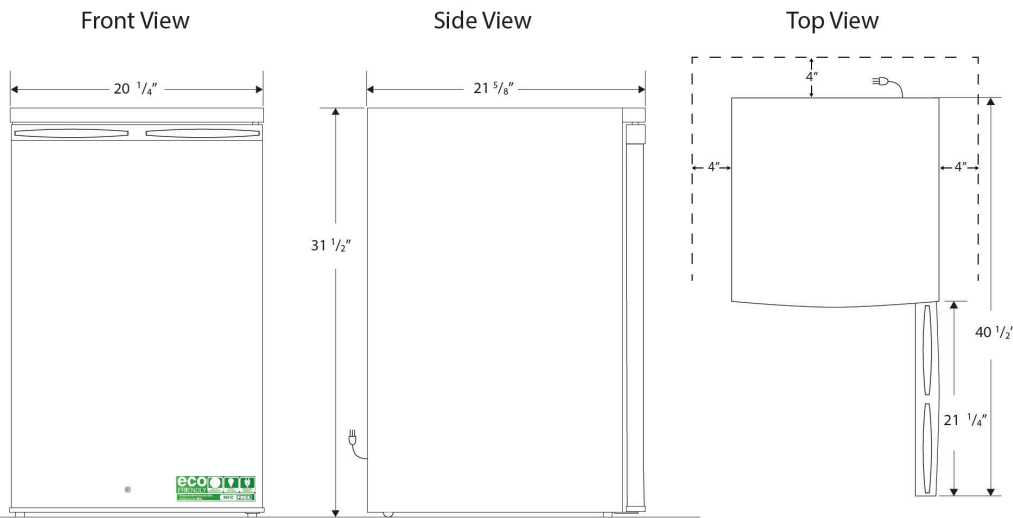
## Under Counter Freestanding Freezer Technical Drawings



115VAC/60Hz/1PH  
NEMA-5-15P

Cu. Ft	Defrost	Door	Int Door	Shelves	Interior Dim.			Refrigerant	H.P.	Amps	Weight
					W"	D"	H"				
4	Manual	1 Solid	0	2 Fixed	15 1/4	15 1/2	25 5/8	R600a	1/7	.90	67 lbs.

Note: Interior dimensions are estimates and subject to change without notice



115VAC/60Hz/1PH  
NEMA-5-15P

**NOTE: Ventilation Requirements – Minimum 4" clearance on sides and back**

Cu. Ft	Defrost	Door	Int Door	Shelves	Interior Dim.			Refrigerant	H.P.	Amps	Weight
					W"	D"	H"				
4	Manual	1 Solid	0	2 Fixed	20 1/4	21 5/8	31 1/2	R600a	1/7	.90	67 lbs.