

COUNTERTOP FREESTANDING FREEZER

Series Overview

The freestanding countertop freezer features a microprocessor temperature controller and display. This allows for precise temperature control, verification and recovery. Temperature display and alarm offers product security. Units require 4" of clearance around the back and sides of the unit for ventilation. Auto defrost freezers have an electric heater added on the evaporator to help with removal of frost and ice, this can lead to rising temperatures within the freezer.

FSUF-0120A

One solid swing door chamber designed for maximum capacity while still allowing passage through most commercial doorways.

Performance

Unit comes standard with a temperature range of -15° C to -25° C. Auto defrost cycle every 6 hours, max air temp in empty freezer: +4.34° C; max air temp in loaded freezer: -2.89° C. Max sample temp in empty freezer: -4.76° C; max sample temp in loaded freezer: -9.58° C. Products designed to operate in ambient room temperatures not to exceed 75° F / 50% RH.

Control System

All series models come standard with a digital microprocessor temperature controller providing a readout of actual and set-point values. This chamber comes with audible/visual alarms, high and low temperature alarms with remote alarm contacts.

Warranties

These chambers come with a two year parts and labor warranty.



The Premier Freestanding Undercounter Refrigerators & Freezers take a large step forward in performance from past general purpose units; offering a digital temperature display and alarm module coupled with a microprocessor temperature controller.



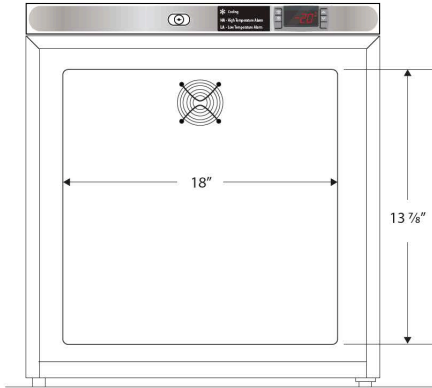
Construction

Freezer is constructed of a powder coated exterior.

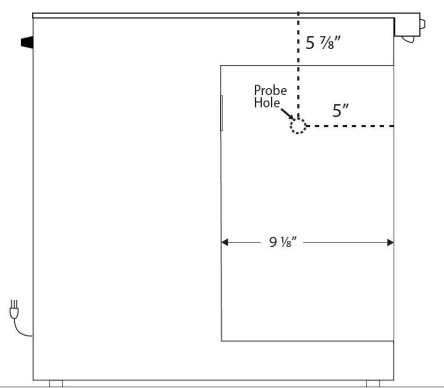
- 2 adjustable shelves with guard rail to prevent product from being pushed against back wall
- One solid swing door, right hinged
- Magnetic door gasket for positive seal with keyed door lock
- Leveling legs
- Bottom footed shelf to allow air circulation
- LED interior light
- Probe access port (3/8")
- High density urethane foam cabinet and door insulation
- HFC-free refrigerant (R600a), foam insulation and packaging
- Exterior dimensions: 23.75" W x 24"D x 20.38"H
- Shipping weight: 106 lbs
- Voltage: 115 / 60 / 1 Amps, 1/8 HP
- Energy consumption: 1.4 kWh/day
- ADA compliant
- UL/C-UL listed
- Pyxis®, Omnicell® and AcuDose RX® compatible
- Energy Star Certified

Countertop Freestanding Freezer Technical Drawings

Front View



Side View



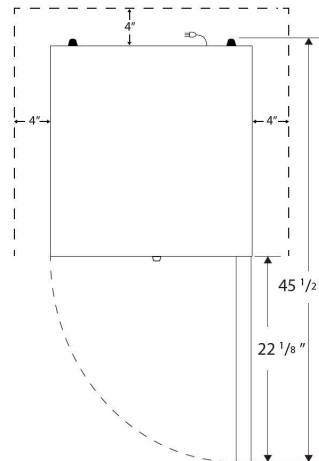
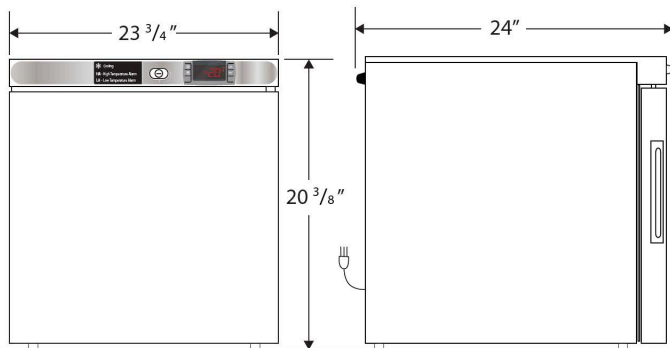
Cu. Ft	Defrost	Door	Int Door	Shelves	Interior Dim.			Refrigerant	H.P.	Amps	Weight
					W"	D"	H"				
1.3	Auto	1 Solid	0	2 Adj +Footed Bottom	18	9 1/8	13 7/8	R600a	1/8	1	80 lbs.

Note: Interior dimensions are estimates and subject to change without notice.

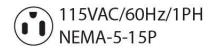
Front View

Side View

Top View



NOTE: Ventilation Requirements – Minimum 4" clearance on sides and back



Cu. Ft	Defrost	Door	Int Door	Shelves	W"	D"	H"	Refrigerant	H.P.	Amps	Weight
					23 3/4	24	20 3/8				
1.3	Auto	1 Solid	0	2 Adj +Footed Bottom	23 3/4	24	20 3/8	R600a	1/8	1	80 lbs.