

# FLAMMABLE STORAGE REFRIGERATORS & FREEZERS

## Series Overview

The standard flammable storage refrigerators and freezers meet NFPA and OSHA guideline 45 and 70 for the refrigerated storage of flammable materials in general laboratory work areas. No electrical components are located in the interior and the compressor's electrical components have been sealed in a vapor-proof enclosure for safety. Units are not designed to be used in environments where volatile/explosive conditions are potentially possible.

## FMSR30

One solid swing door chamber designed for maximum capacity while still allowing passage through most commercial doorways.

## Performance

Unit comes standard with a temperature range of 1° C to 10° C. Products designed to operate in ambient room temperatures not to exceed 75° F / 50% RH.

## Control System

All series models comes standard with a mechanical thermostat

## Warranties

These chambers come with a one year parts and labor warranty.

## Construction

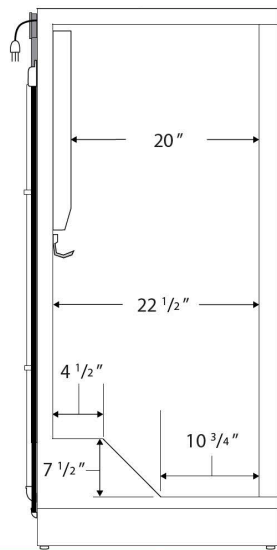
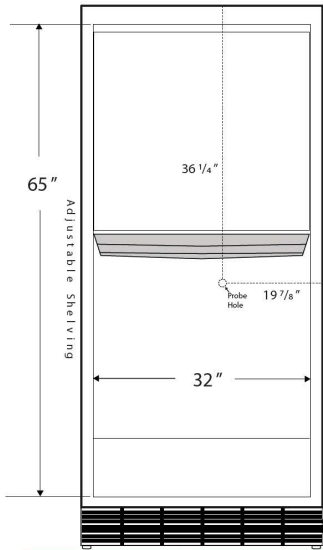
Refrigerator is constructed of white textured cabinet and door

- 5 adjustable shelves
- 3/8" probe access port
- One solid swing door, self-closing (energy efficient, double pane vacuum insulated), right hinged, not reversible
- Magnetic door gasket for positive seal with keyed door lock and heavy duty door handle
- Leveling legs
- High density urethane foam cabinet and door insulation
- CFC-free refrigerant (R404a), foam insulation and packaging
- External dimensions: 35.75" W x 35.5" D x 72.5" H
- Shipping weight: 381 lbs
- Voltage: 115/ 60/ 6 Amps 1/3 HP
- UL/C-UL listed

## Flammable Storage Refrigerator Technical Drawings

Front View

Side View



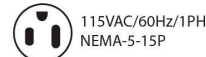
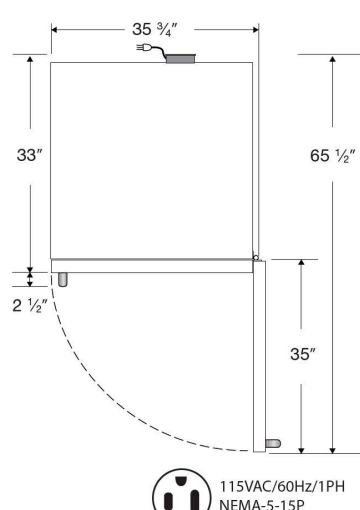
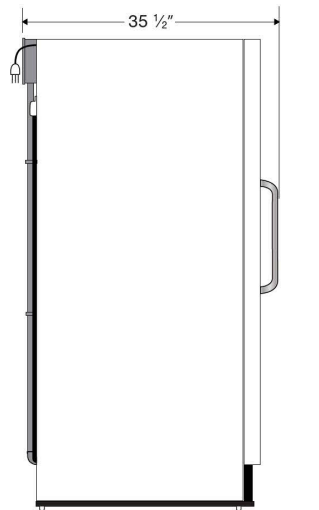
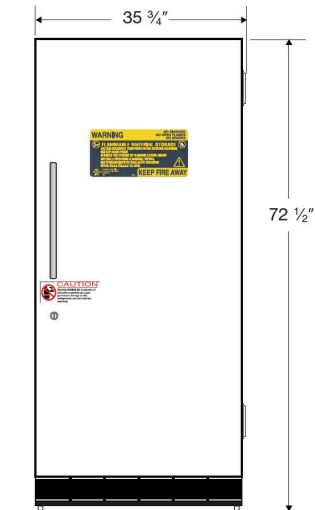
Cu. Ft	Defrost	Door	Int Door	Shelves	Interior Dim.			Refrigerant	H.P.	Amps	Weight
					W"	D"	H"				
30	Cycle	1 Solid	0	5 Adj.	32	22 1/2	65	R404a	1/3	6	321 lbs.

Note: Interior dimensions are estimates and subject to variance without notice.

Front View

Side View

Top View



Cu. Ft	Defrost	Door	Int Door	Shelves	Interior Dim.			Refrigerant	H.P.	Amps	Weight
					W"	D"	H"				
30	Cycle	1 Solid	0	5 Adj.	35 3/4	35 1/2	72 1/2	R404a	1/3	6	321 lbs.