

FLAMMABLE STORAGE REFRIGERATORS & FREEZER

Series Overview

The standard flammable storage refrigerators and freezers meet NFPA and OSHA guideline 45 and 70 for the refrigerated storage of flammable materials in general laboratory work areas. No electrical components are located in the interior and the compressor's electrical components have been sealed in a vapor-proof enclosure for safety. Units are not designed to be used in environments where volatile/explosive conditions are potentially possible. *Periodic manual defrosting is required

FMSF17

The one solid swing door chamber designed for maximum capacity while still allowing passage through most commercial doorways.

Performance

Unit comes standard with a temperature range of -15°C to -25°C . Designed to operate in ambient room temperatures not to exceed 75°F / 50% RH

Control System

All series models comes standard with a mechanical thermostat

Warranties

These chambers come with a one year parts and labor warranty.

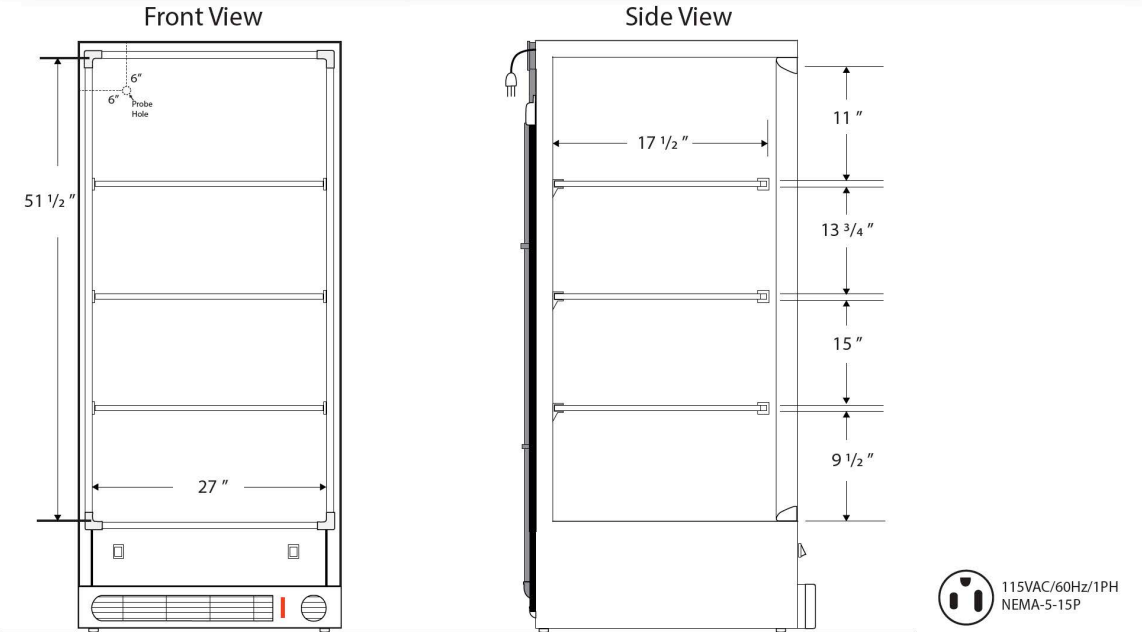


Construction

Freezer is constructed of white textured cabinet and door

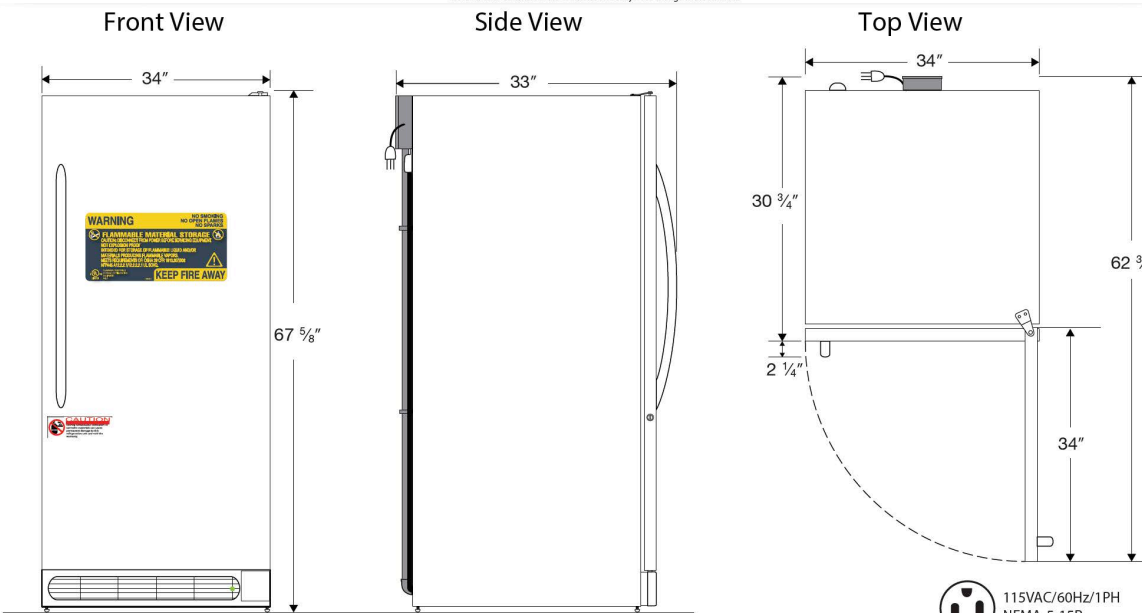
- 3 fixed shelves
- 3/8" probe access port
- One solid swing door, self-closing (energy efficient, double pane vacuum insulated), right hinged, not reversible
- Magnetic door gasket for positive seal with keyed door lock and heavy duty door handle
- Leveling legs
- High density urethane foam cabinet and door insulation
- CFC-free refrigerant (R134a), foam insulation and packaging
- Exterior Dimensions: 34" W x 33"D x 67.63"H
- Crated weight: 261 lbs
- Voltage: 115 / 60 / 5 Amps 1/3 HP
- UL/C-UL listed

Flammable Storage Freezer Technical Drawings



Cu. Ft	Defrost	Door	Int Door	Shelves	Interior Dim.			Refrigerant	H.P.	Amps	Weight
					W"	D"	H"				
17	Manual	1 Solid	0	3 Fixed	27	17 1/2	51 1/2	R134a	1/3	5	201 lbs.

Note: Interior dimensions are estimates and subject to change without notice



Cu. Ft	Defrost	Door	Int Door	Shelves	W"	D"	H"	Refrigerant	H.P.	Amps	Weight
17	Manual	1 Solid	0	3 Fixed	34	33	67 5/8	R134a	1/3	5	201 lbs.