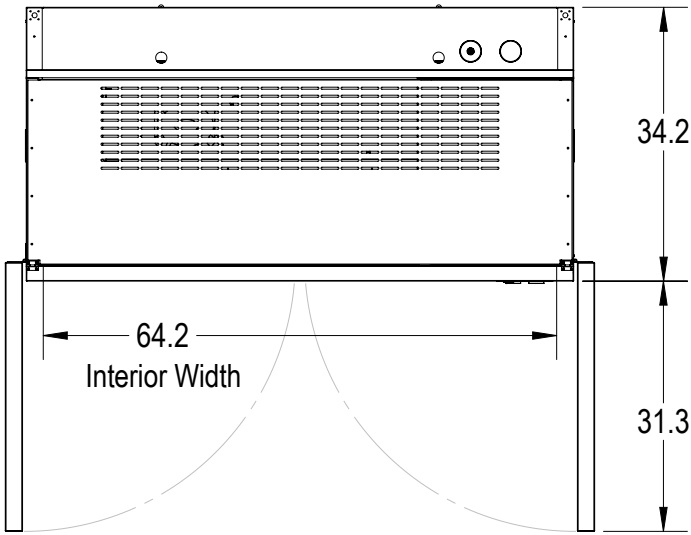
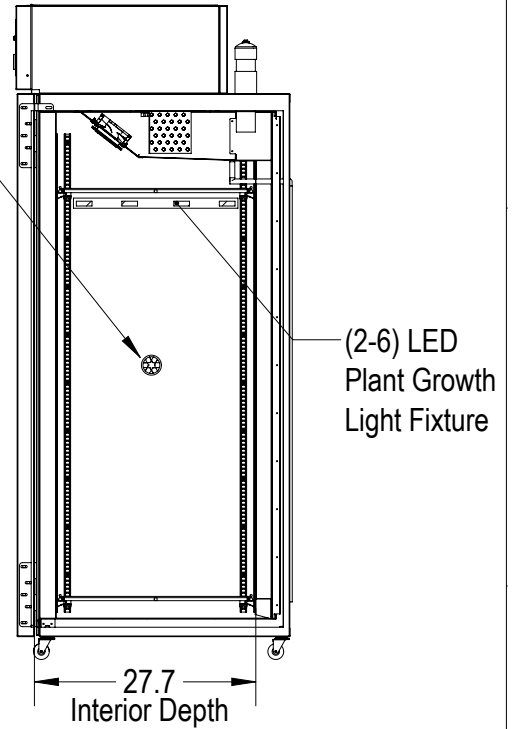


PG068 Chamber

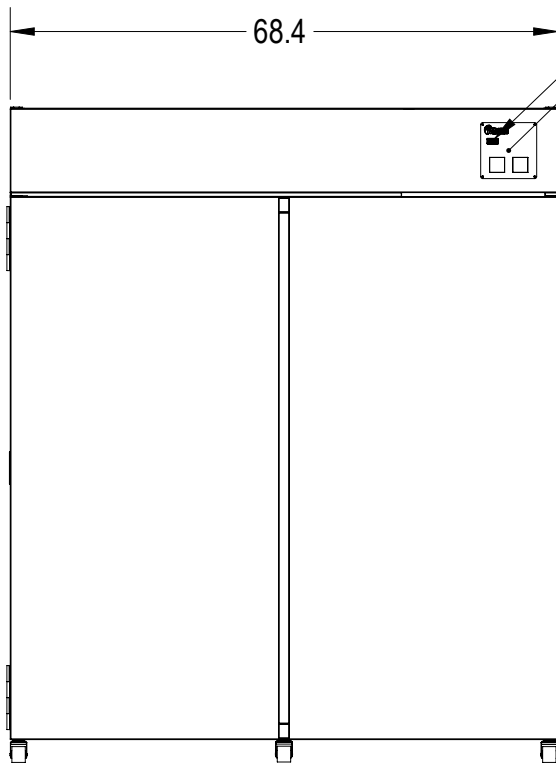
Rev. 00 Dimensions in Inches Unless Otherwise Specified.



2in Access Port
(1) Each Side



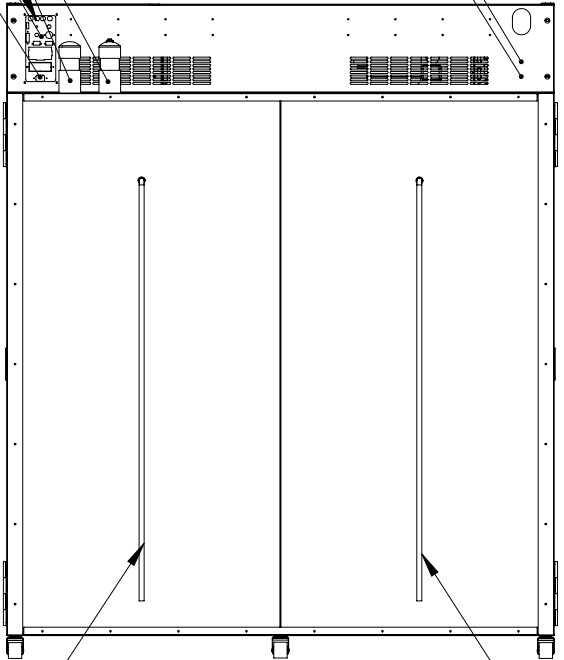
Multipurpose Ports
Overcurrent Protection
Optional Accessories
AC Power Supply



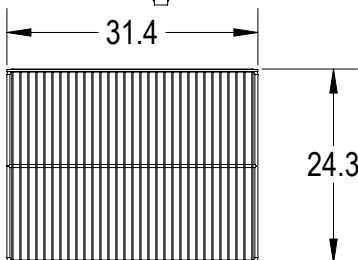
81.8

Casters
removable for
low clearance

Humidifier Water Supply*
Compressed Dry Air Supply*



Condensate Drains
Reconfigurable to Suit Installation

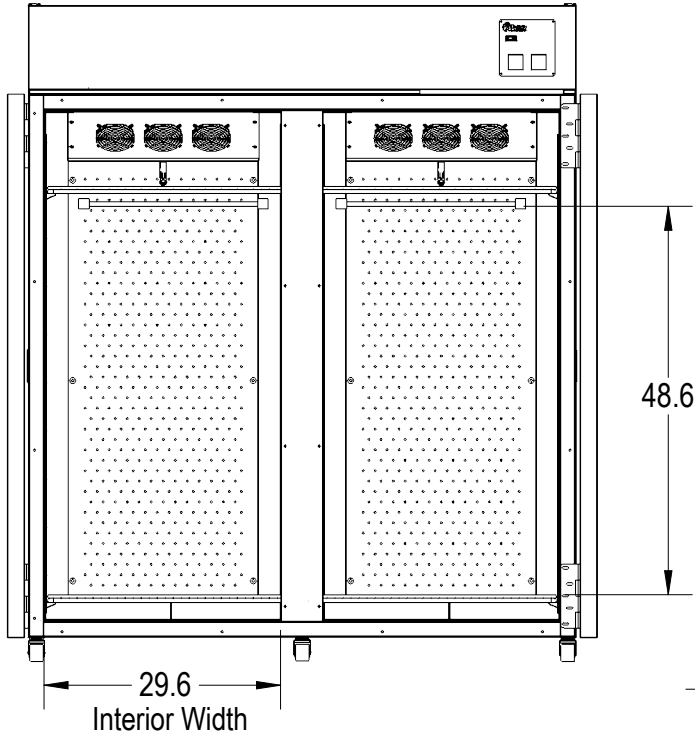


304 Stainless Steel Wire Shelf
With and Without LED Plant Growth Fixture
(4-8) Included

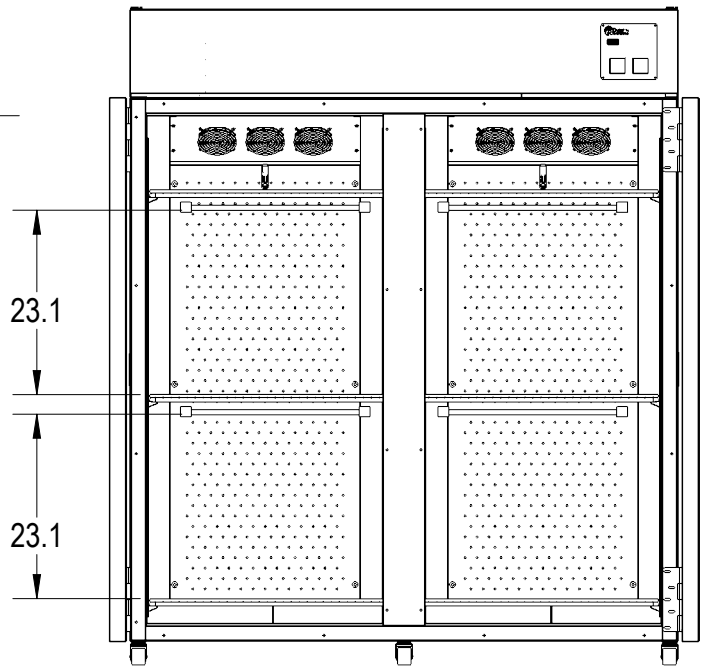
Notes:

- Shelves adjustable in 1/2" increments. Minimum 2" spacing required.
- Weight Capacity: 150lbs per shelf.
- Minimum Door Clearance Width: 34.5"
- Minimum Door Clearance Height: 79.5"
- Chamber may be tilted for lower clearance.
- Dimensions and components are subject to change without notice.
- Some options may affect chamber performance.

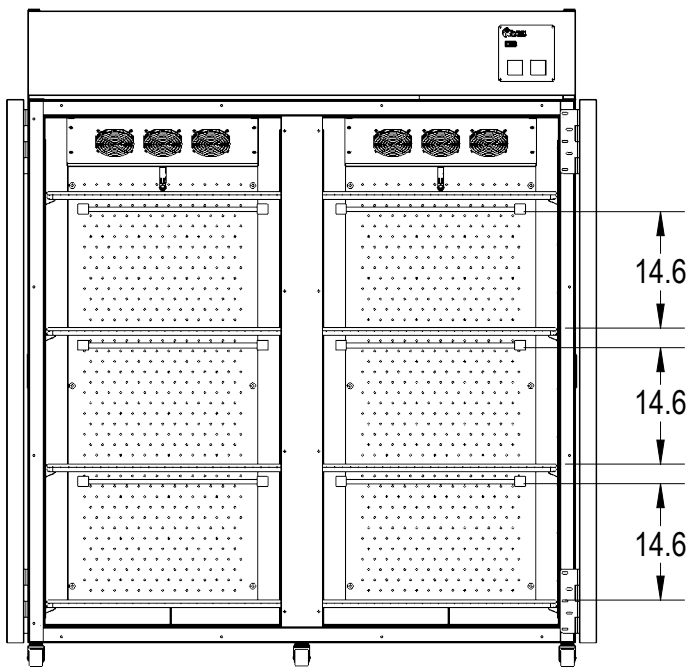
PG068 Lighting Options



PG068-1
4x Shelves
2x LED



PG068-2
6x Shelves
4x LED



PG068-3
8x Shelves
6x LED