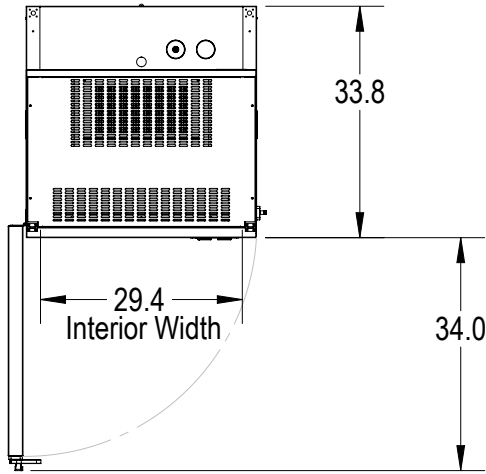
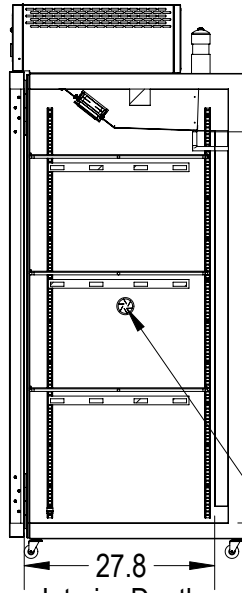


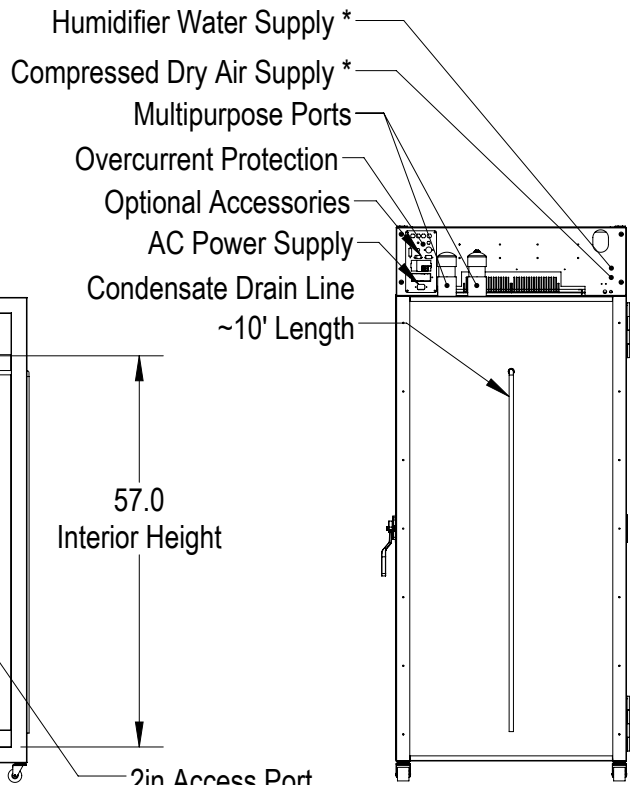
# PG034 Chamber



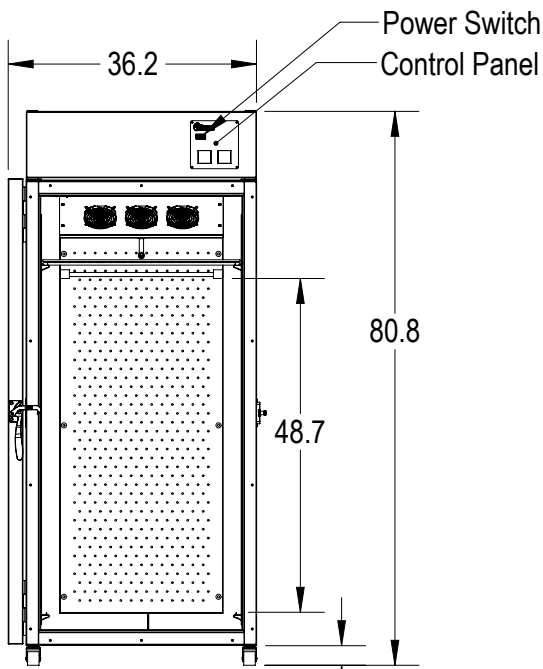
Plan View



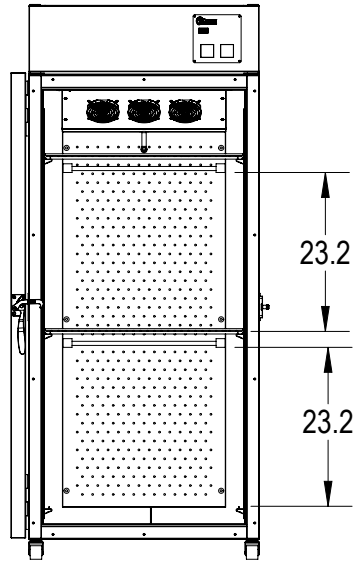
Interior Depth Right Section



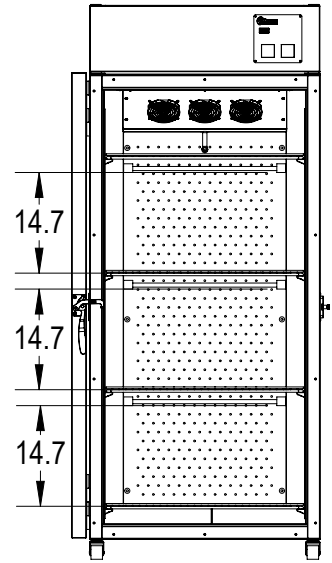
Back



PG034-1

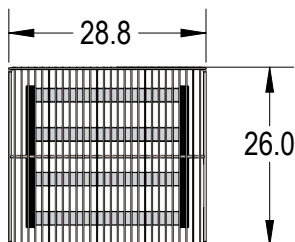


PG034-2



PG034-3

2.9 Caster Height



304 Stainless Steel Wire Shelf  
w/ LED Plant Growth Light Fixture

\* Optional Accessory

Notes:

- Crated Weight: 765lbs.
- Shelves adjustable in 1/2" increments. Minimum 2" spacing required.
- Weight Capacity: 150lbs per shelf.
- Dimensions and components are subject to change without notice.
- Some options may affect chamber performance.