

BUILT-IN UNDERCOUNTER REFRIGERATOR

Series Overview

The built-in undercounter refrigerator features a microprocessor temperature controller and display, this allows for precise temperature control, verification and recovery versus mechanical style thermostats. There is an interior fan which leads a forced-air circulation system to provide excellent temperature uniformity and recovery after door openings. Models are designed with "front-breathing" ventilation which eliminates the need for 4" clearance around the top and sides of the unit.

BIUR-0404

One solid swing door chamber designed for maximum capacity while still allowing passage through most commercial doorways.

Performance

Unit comes standard with a temperature range of 1° C to 10° C Cycle defrost. Products designed to operate in ambient room temperatures not to exceed 75° F / 50% RH.

Control System

All series models come standard with a digital microprocessor temperature controller providing a readout of actual and set-point values. This chamber comes with audible/visual alarms, high and low temperature alarms with remote alarm contacts.

Warranties

These chambers come with a two year parts and labor warranty.



The Premier Built-in Undercounter Refrigerators and Freezers take a large step forward in performance from past general purpose units; offering a digital temperature display and alarm module coupled with a microprocessor temperature controller.



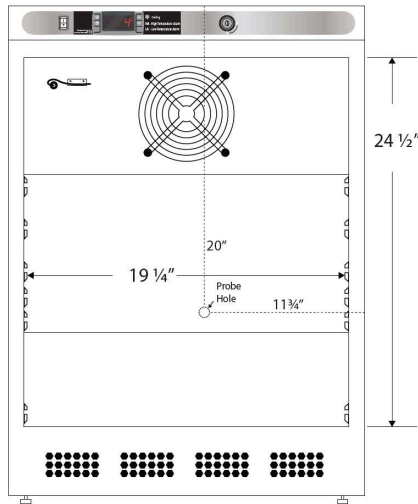
Construction

Refrigerator is constructed of powder coated exterior.

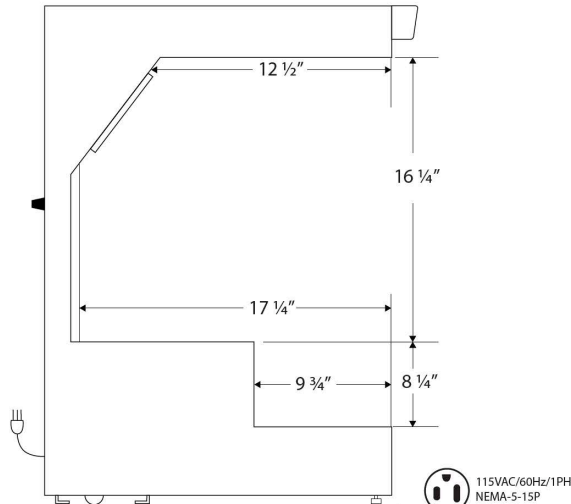
- 3 shelves (two adjustable, one fixed) with guard rail on back to prevent product from being pushed against the back wall
- one solid swing door, right hinged
- Magnetic door gasket for positive seal with keyed door lock and heavy duty door handle
- Leveling legs
- Back wall evaporator cover
- Probe access port (3/8")
- High density urethane foam cabinet and door insulation
- HFC-free refrigerant (R600a), foam insulation and packaging
- Exterior dimensions: 23.75" W x 24.5" D x 33.38" H
- Shipping weight: 137 lbs
- Voltage: 115 / 60 / 1.74 Amps, 1/8 HP
- Energy consumption: 1.15 kWh/day
- UL/C-UL listed
- Pyxis®, Omnicell® and AcuDose RX® compatible
- Energy Star Certified for Laboratory Refrigerators

Built-In Undercounter Refrigerator Technical Drawings

Front View



Side View

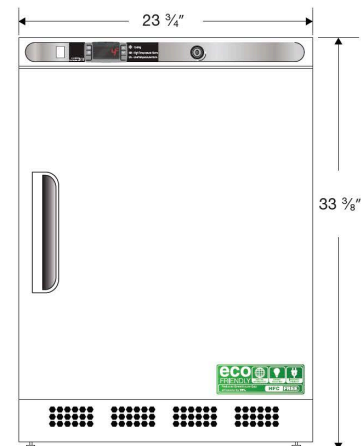


115VAC/60Hz/1PH
NEMA-5-15P

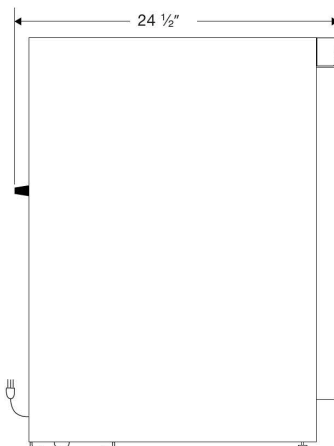
Cu. Ft	Defrost	Door	Int Door	Shelves	Interior Dim.			Refrigerant	H.P.	Amps	Weight
					W"	D"	H"				
4.6	Cycle	1 Solid (Reversible)	0	2 Adj/1 Fixed	19 1/4	17 1/4	24 1/2	R600a	1/8	1.74	97 lbs.

Note: Interior dimensions are estimates and subject to change without notice

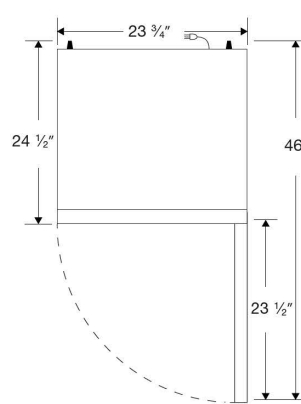
Front View



Side View



Top View



115VAC/60Hz/1PH
NEMA-5-15P

Cu. Ft	Defrost	Door	Int Door	Shelves	Interior Dim.			Refrigerant	H.P.	Amps	Weight
					W"	D"	H"				
4.6	Cycle	1 Solid (Reversible)	0	2 Adj/1 Fixed	23 3/4	24 1/2	33 3/8	R600a	1/8	1.74	97 lbs.