

## BUILT-IN UNDERCOUNTER REFRIGERATOR

### Series Overview

The built-in undercounter refrigerator features a microprocessor temperature controller and display, this allows for precise temperature control, verification and recovery versus mechanical style thermostats. There is an interior fan which leads a forced-air circulation system to provide excellent temperature uniformity and recovery after door openings. Models are designed with "front-breathing" ventilation which eliminates the need for 4" clearance around the top and sides of the unit.

### BIUR-0204-LH

One solid swing door chamber designed for maximum capacity while still allowing passage through most commercial doorways.

### Performance

Unit comes standard with a temperature range of 1° C to 10° C. Cycle defrost. Products designed to operate in ambient room temperatures not to exceed 75° F / 50% RH.

### Control System

All series models come standard with a digital microprocessor temperature controller providing a readout of actual and set-point values. This chamber comes with audible/visual alarms, high and low temperature alarms with remote alarm contacts.

### Warranties

These chambers come with a two year parts and labor warranty.



The Premier Built-in Undercounter Refrigerators and Freezers take a large step forward in performance from past general purpose units; offering a digital temperature display and alarm module coupled with a microprocessor temperature controller.

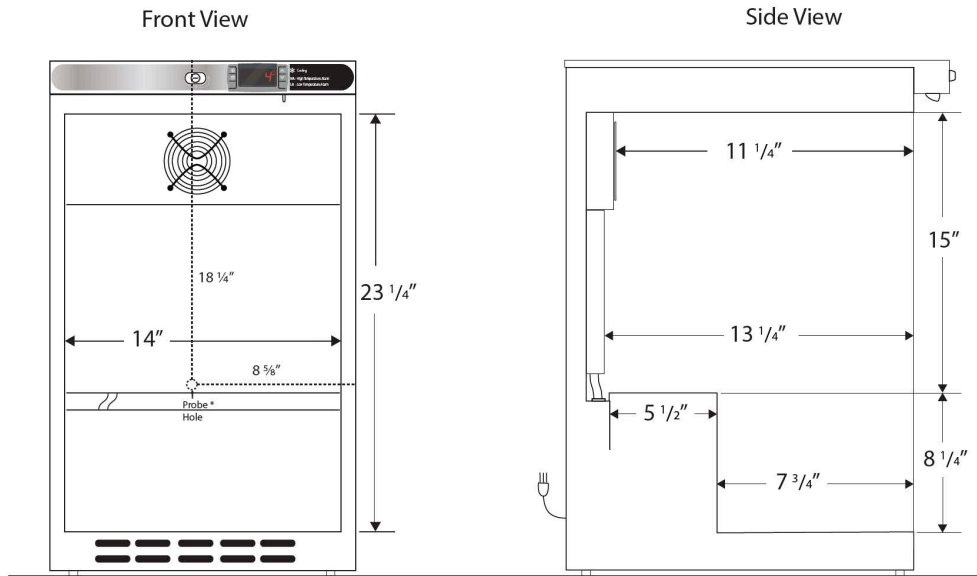


### Construction

Refrigerator is constructed of powder coated exterior.

- 4 adjustable shelves (two large, two small) with guard rail on back to prevent product from being pushed against the back wall
- one solid swing door, left hinged
- Magnetic door gasket for positive seal with keyed door lock and heavy duty door handle
- Leveling legs
- Back wall evaporator cover
- Probe access port (3/8")
- High density urethane foam cabinet and door insulation
- HFC-free refrigerant (R600a), foam insulation and packaging
- Exterior dimensions: 17.75" W x 22.75"D x 30.75"H
- Shipping weight: 85 lbs
- Voltage: 115 / 60 / .90 Amps, 1/8 HP
- Energy consumption: 0.58 kWh/day
- UL/C-UL listed
- Pyxis®, Omnicell® and AcuDose RX® compatible
- Energy Star Certified for Laboratory Refrigerators
- ADA compliant

## Built-In Undercounter Refrigerator Technical Drawings



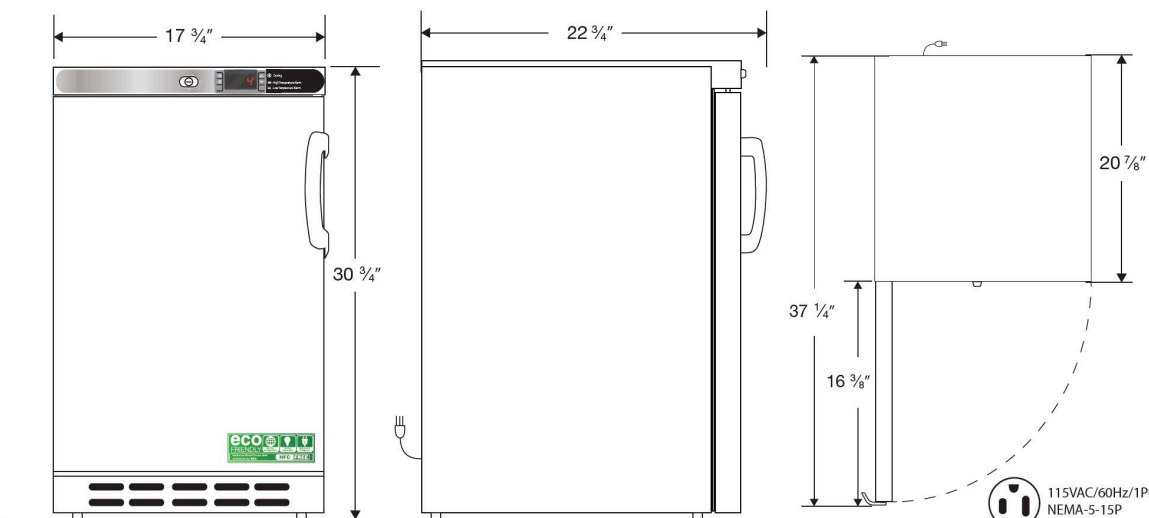
Cu. Ft	Defrost	Door	Int Door	Shelves	Interior Dim.			Refrigerant	H.P.	Amps	Weight
					W"	D"	H"				
2.5	Cycle	1 Solid LH	0	4 Adj	14	13 1/4	23 1/4	R600a	1/8	.90	69 lbs.

Note: Interior dimensions are estimates and subject to change without notice

Front View

Side View

Top View



Cu. Ft	Defrost	Door	Int Door	Shelves	Interior Dim.			Refrigerant	H.P.	Amps	Weight
					W"	D"	H"				
2.5	Cycle	1 Solid LH	0	4 Adj	17 3/4	22 3/4	30 3/4	R600a	1/8	.90	69 lbs.