

BUILT-IN UNDERCOUNTER FREEZER

Series Overview

The built-in undercounter freezer features a microprocessor temperature controller and display, this allows for precise temperature control, verification and recovery versus mechanical style thermostats. Models are designed with "front-breathing" ventilation which eliminates the need for clearance around the top and sides of the unit. Auto defrost freezers incorporate an electric heater installed on the evaporator that assist in the removal of the frost and ice. Although the heater helps speed up the frost and ice removal, it can raise the temperatures within the freezer. *Periodic manual defrosting is required

BIUF-0420A

One solid swing door chamber designed for maximum capacity while still allowing passage through most commercial doorways.

Performance

Unit comes standard with a temperature range of -15° C to -25° C. Auto defrost cycle every 6 hours, max air temp in empty freezer: +4.9° C; max air temp in loaded freezer: +0.6° C. Max sample temp in empty freezer: -9.1° C; max sample temp in loaded freezer: -11.2° C. Products designed to operate in ambient room temperatures not to exceed 75° F / 50% RH.

Control System

All series models come standard with a digital microprocessor temperature controller providing a readout of actual and set-point values. This chamber comes with audible/visual alarms, high and low temperature alarms with remote alarm contacts.

Warranties

These chambers come with a two year parts and labor warranty.



The Premier Built-in Undercounter Refrigerators and Freezers take a large step forward in performance from past general purpose units; offering a digital temperature display and alarm module coupled with a microprocessor temperature controller.



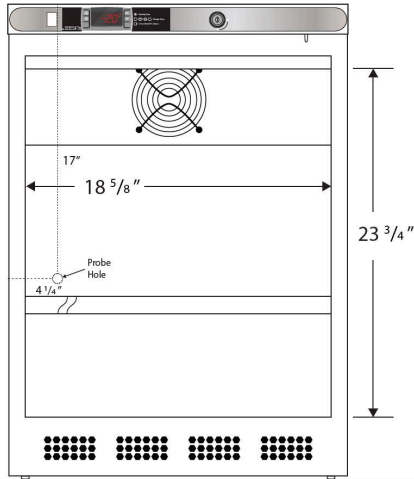
Construction

Freezer is constructed of powder coated exterior.

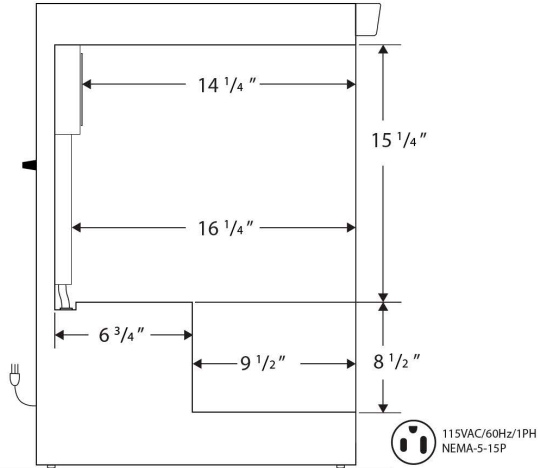
- 3 adjustable shelves with guard rail on back to prevent product from being pushed against the back wall
- one solid swing door, right hinged
- Magnetic door gasket for positive seal with keyed door lock and heavy duty door handle
- Leveling legs
- Back wall evaporator cover
- Probe access port (3/8")
- High density urethane foam cabinet and door insulation
- HFC-free refrigerant (R290a), foam insulation and packaging
- Exterior dimensions: 23.75" W x 24.5"D x 33.13"H
- Shipping weight: 143 lbs
- Voltage: 115 / 60 / 1.8 Amps, 1/8 HP
- UL/C-UL listed
- Pyxis®, Omnicell® and AcuDose RX® compatible

Built-In Undercounter Freezer Technical Drawings

Front View



Side View


 115VAC/60Hz/1PH
NEMA-5-15P

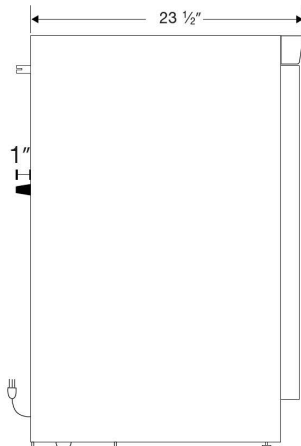
Cu. Ft	Defrost	Door	Int Door	Shelves	Interior Dim.			Refrigerant	H.P.	Amps	Weight
					W"	D"	H"				
4.2	Auto	1 Solid (Reversible)	0	3 Adj	18 5/8	16 1/4	23 3/4	R290	1/8	1.8	100 lbs.

Note: Interior dimensions are estimates and subject to change without notice.

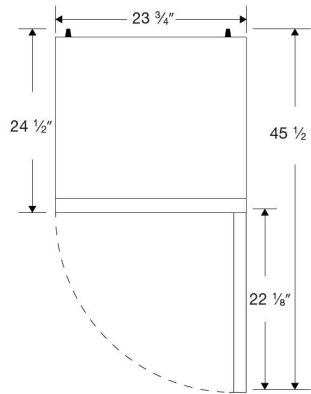

Front View



Side View



Top View


 115VAC/60Hz/1PH
NEMA-5-15P

Cu. Ft	Defrost	Door	Int Door	Shelves	Interior Dim.			Refrigerant	H.P.	Amps	Weight
					W"	D"	H"				
4.2	Auto	1 Solid	0	3 Adj	23 3/4	24 1/2	33 1/8	R290	1/8	1.8	100 lbs.