

## BUILT-IN UNDERCOUNTER FREEZER

### Series Overview

The built-in undercounter freezer features a microprocessor temperature controller and display, this allows for precise temperature control, verification and recovery versus mechanical style thermostats. Models are designed with "front-breathing" ventilation which eliminates the need for clearance around the top and sides of the unit. \*Periodic manual defrosting is required

### BIUF-0420-ADA

One solid swing door chamber designed for maximum capacity while still allowing passage through most commercial doorways.

### Performance

Unit comes standard with a temperature range of -15° C to -25° C Manual defrost. Products designed to operate in ambient room temperatures not to exceed 75° F / 50% RH.

### Control System

All series models come standard with a digital microprocessor temperature controller providing a readout of actual and set-point values. This chamber comes with audible/visual alarms, high and low temperature alarms with remote alarm contacts.

### Warranties

These chambers come with a two year parts and labor warranty.



The Premier Built-in Undercounter Refrigerators and Freezers take a large step forward in performance from past general purpose units; offering a digital temperature display and alarm module coupled with a microprocessor temperature controller.



### Construction

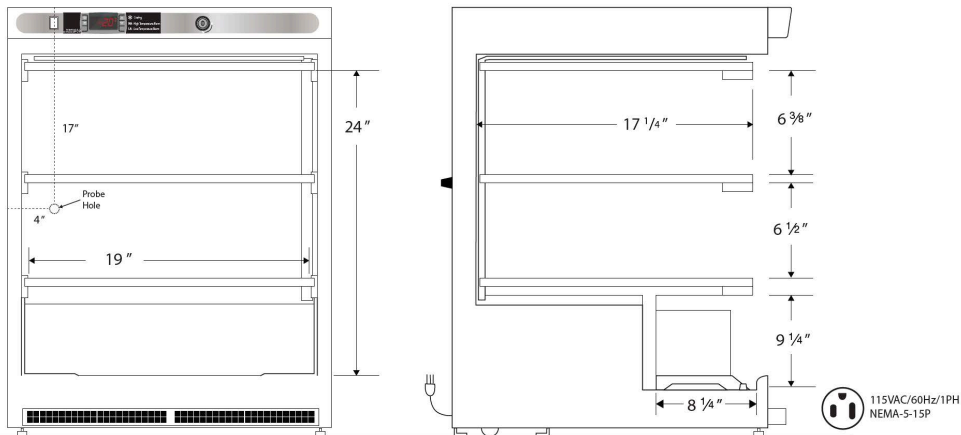
Freezer is constructed of powder coated exterior.

- two fixed shelves
- one solid swing door, right hinged
- Magnetic door gasket for positive seal with keyed door lock and recessed door handle
- Leveling legs
- Probe access port (3/8")
- High density urethane foam cabinet and door insulation
- HFC-free refrigerant (R600a), foam insulation and packaging
- Exterior dimensions: 23.75" W x 24.5"D x 31.94"H
- Shipping weight: 133 lbs
- Voltage: 115 / 60 / 1.5 Amps, 1/8 HP
- Energy consumption: 0.97 kWh/day
- UL/C-UL listed
- Pyxis®, Omnicell® and AcuDose RX® compatible
- Energy Star Certified
- ADA compliant

## Built-In Undercounter Freezer Technical Drawings

Front View

Side View



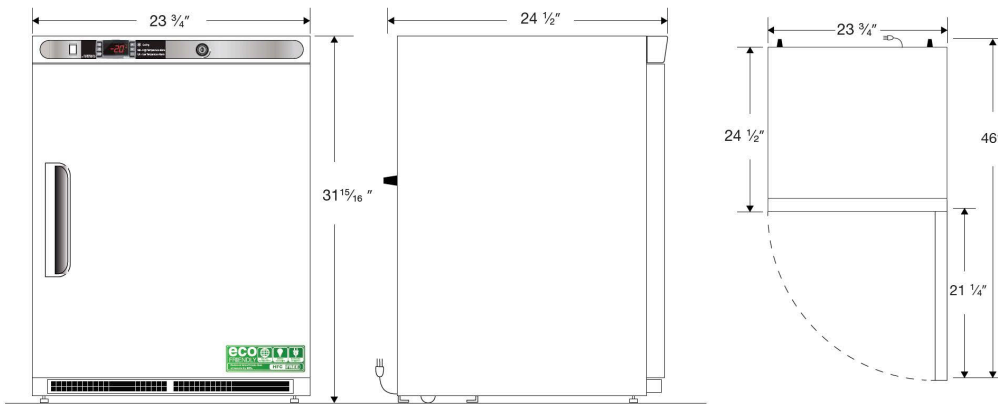
Cu. Ft	Defrost	Door	Int Door	Shelves	Interior Dim.			Refrigerant	H.P.	Amps	Weight
					W"	D"	H"				
4.2	Manual	1 Solid (Reversible)	0	2 Fixed	19	17 1/4	24	R600a	1/8	1.5	108 lbs.

Note: Interior dimensions are estimates and subject to change without notice.

Front View

Side View

Top View



**32" HEIGHT MEETS ADA GUIDELINES**

115VAC/60Hz/1PH  
NEMA-5-15P

Cu. Ft	Defrost	Door	Int Door	Shelves	Interior Dim.			Refrigerant	H.P.	Amps	Weight
					W"	D"	H"				
4.2	Manual	1 Solid (Reversible)	0	2 Fixed	23 3/4	24 1/2	31 15/16	R600a	1/8	1.5	108 lbs.