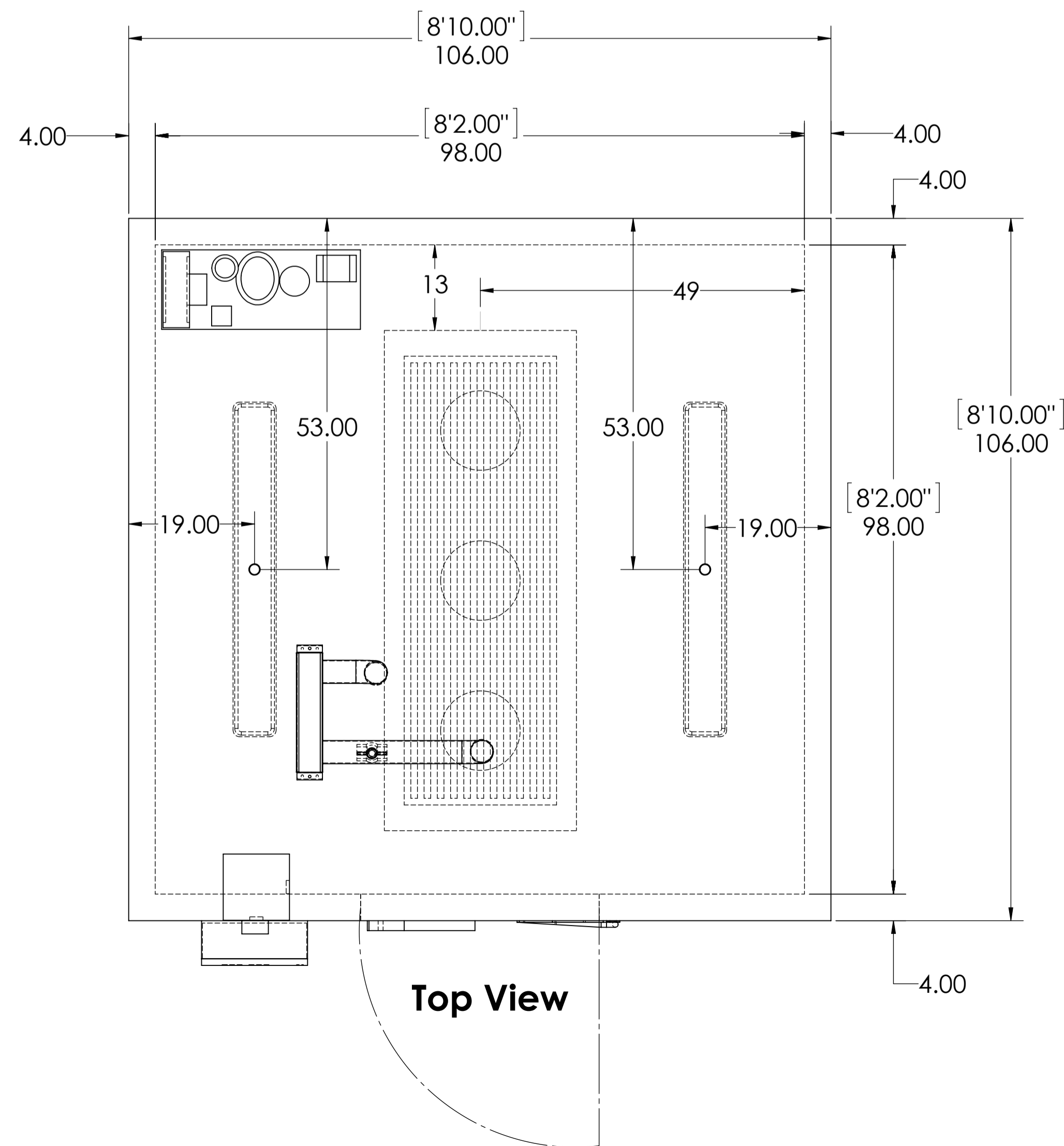
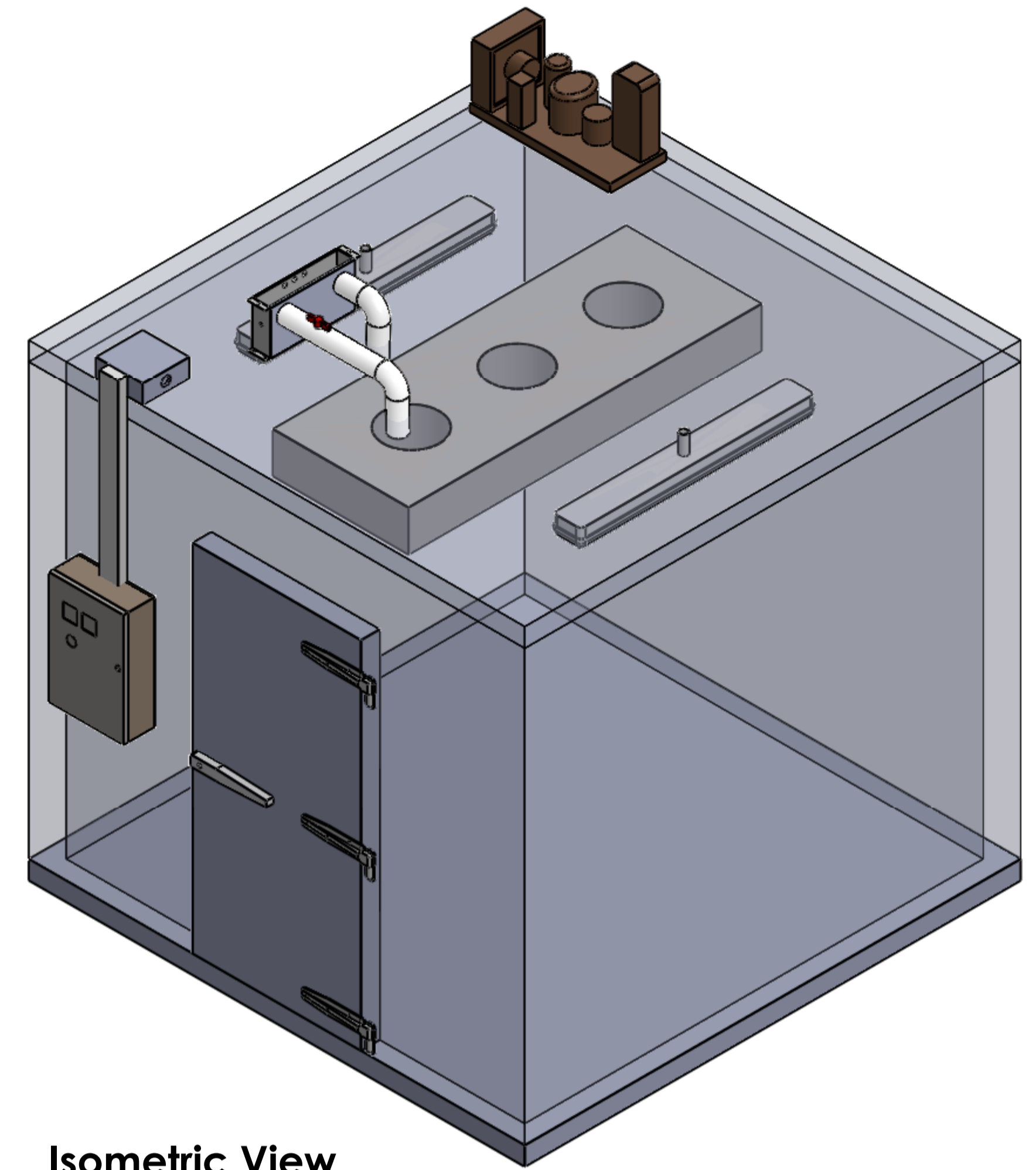


Front View



Top View



Isometric View

Item	Details
Exterior Material	Embossed white Galv
Interior Material	Embossed white Alum
Door Details	Door Dimension - 36" x80"
View Port details	Option Available
Ramp Details	Option Available
Other Notes:	

UNLESS OTHERWISE SPECIFIED:  
DIMENSIONS ARE IN INCHES

NAME: Seth  
DATE: 6/1/16

DARWIN CHAMBERS CO.

TITLE:  
600 Walkin Room

PROPRIETARY AND CONFIDENTIAL  
THE INFORMATION CONTAINED IN THIS  
DRAWING IS THE SOLE PROPERTY OF  
DARWIN CHAMBERS CO. ANY  
REPRODUCTION IN PART OR AS A WHOLE  
WITHOUT THE WRITTEN PERMISSION OF  
DARWIN CHAMBERS CO. IS PROHIBITED.

DWG NO.

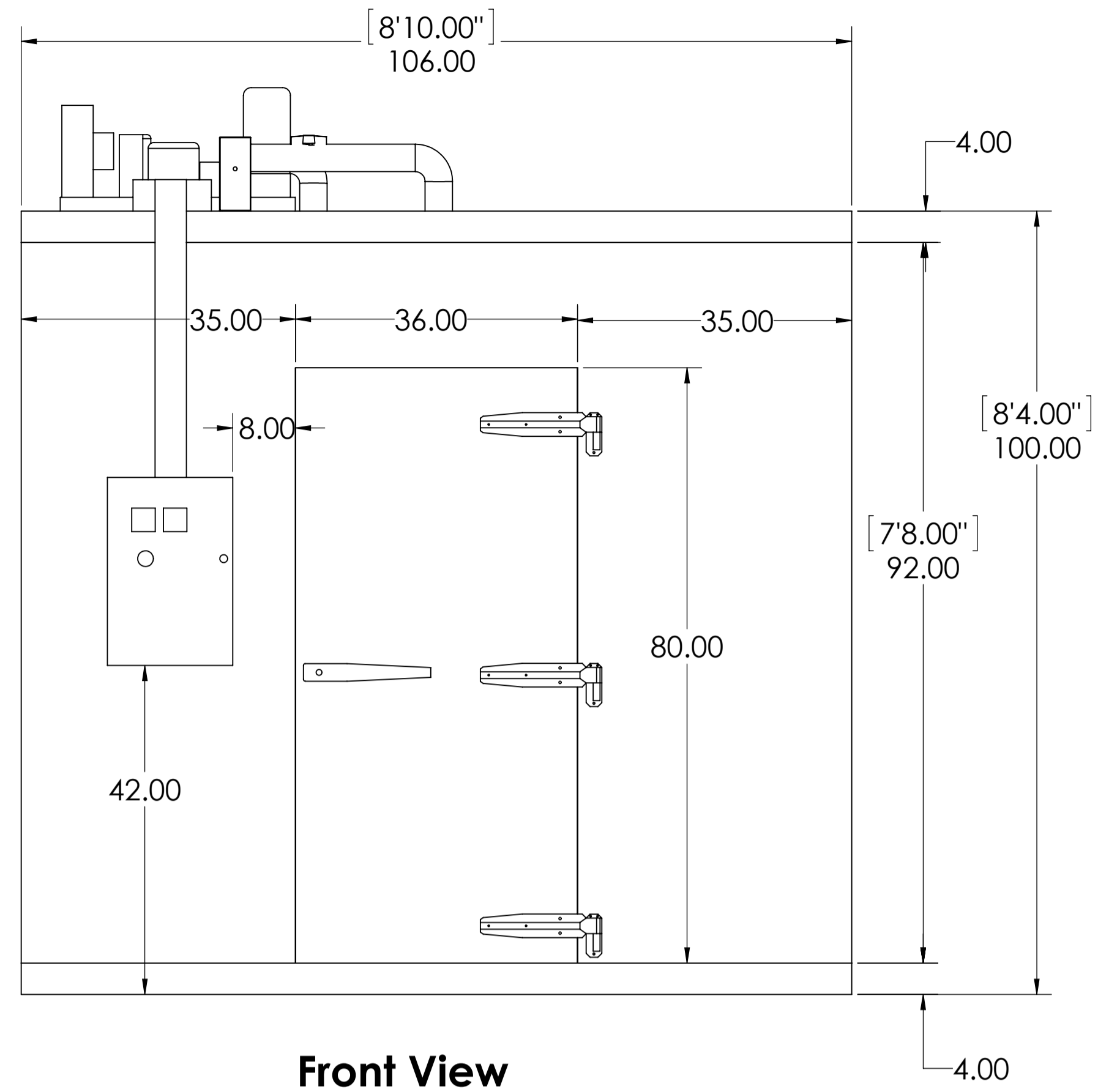
Rev

0

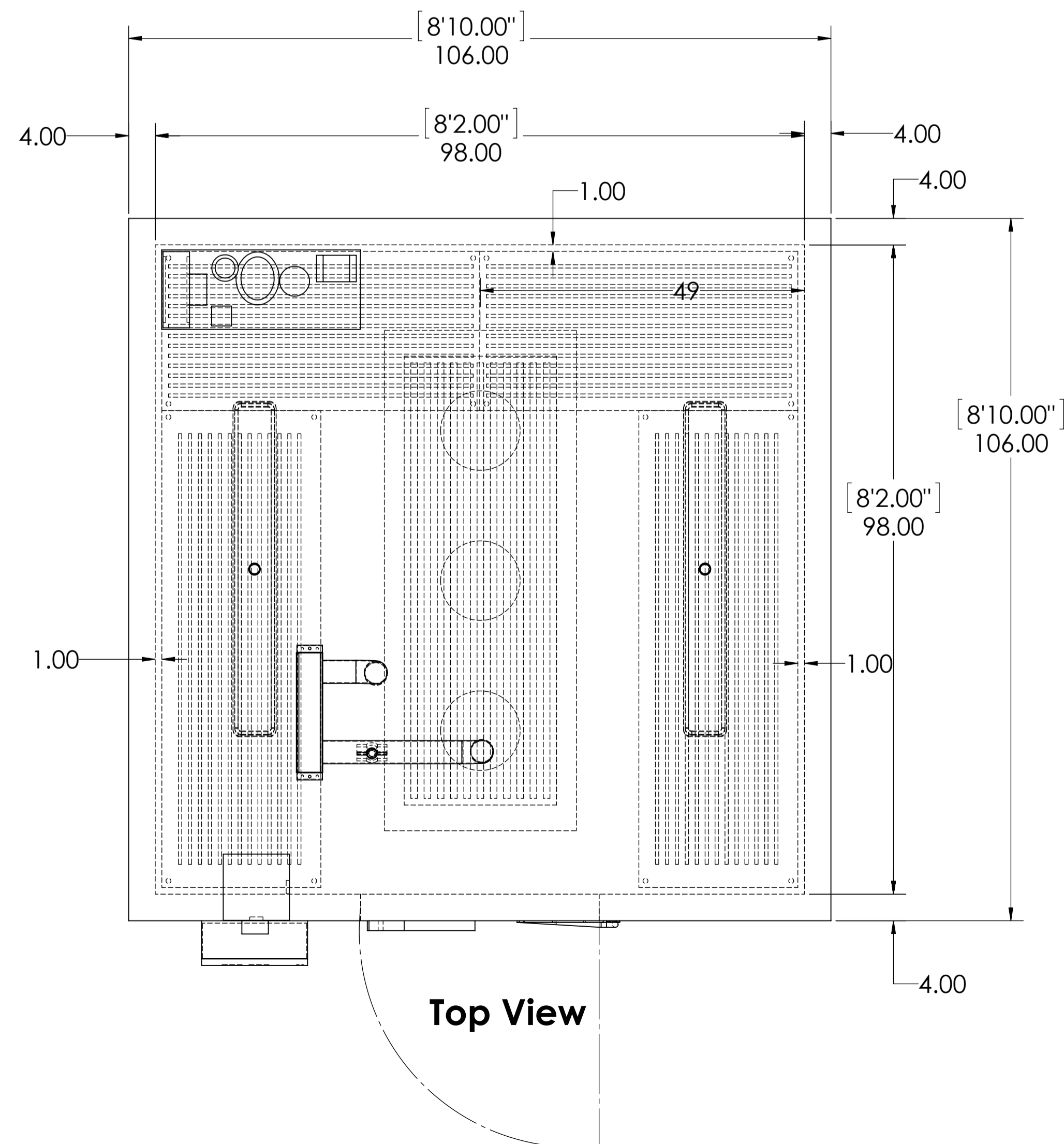
SCALE:1/24

SHEET 1 OF 2

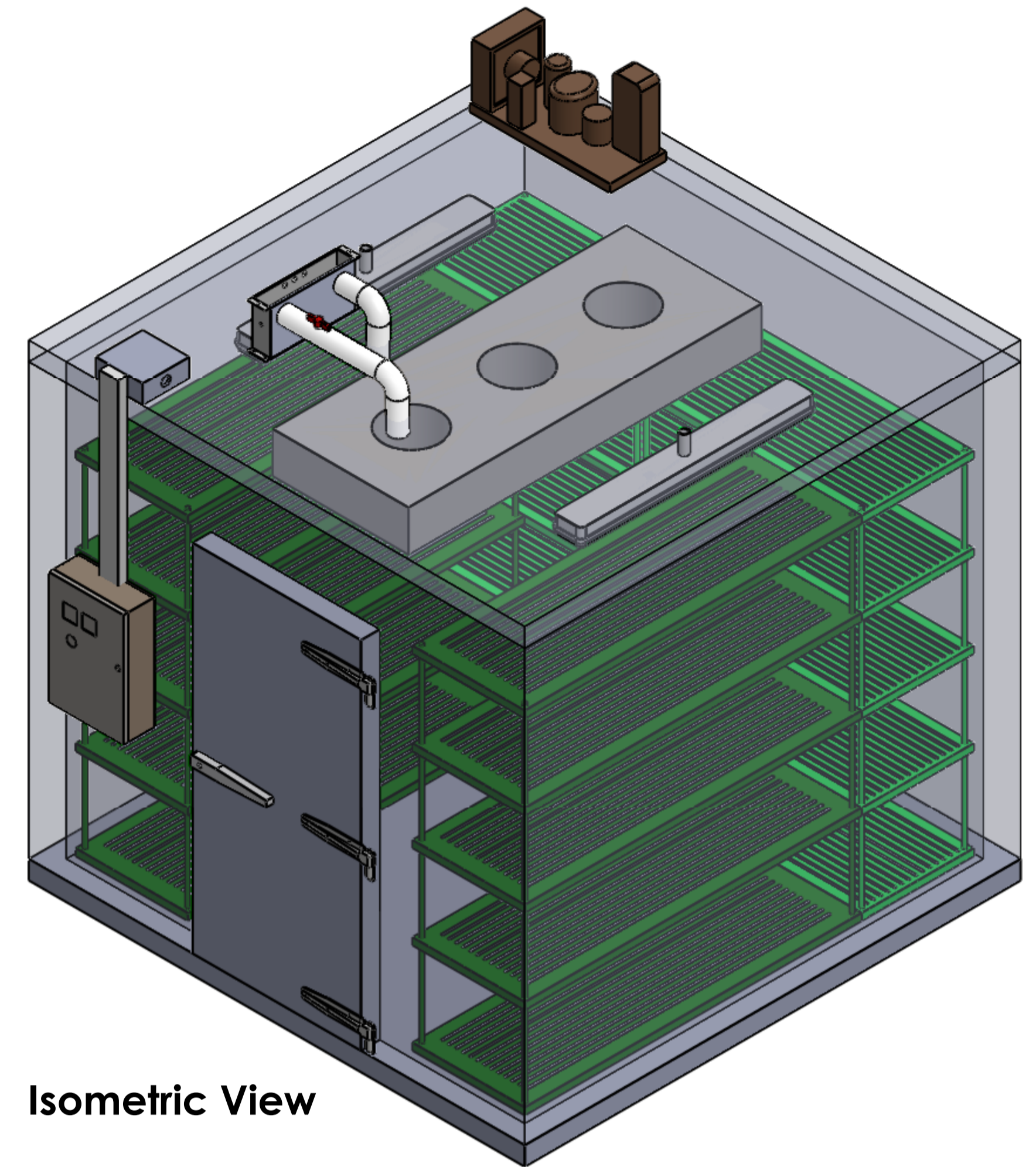




**Front View**



**Top View**



**Isometric View**

**Shelving Detail**  
 1. 2'x4' Shelving Units- 2 Qty(5 Tiers)  
 2. 2'x6' Shelving Units- 2 Qty (5 Tiers)

**Number of shelves**  
 1.2'x4' Shelves- 10 Qty  
 2. 2'x6' Shelves- 10 Qty

**Number of Poles- 16 Qty- 74" H.**

Item	Details
Exterior Material	Embossed white Galv
Interior Material	Embossed white Alum
Door Details	Door Dimension - 36" x80"
View Port details	Option Available
Ramp Details	Option Available
Other Notes:	

UNLESS OTHERWISE SPECIFIED: DIMENSIONS ARE IN INCHES		DRAWING NO.		TITLE:	
NAME	DATE	DRAWING NO.		TITLE:	
SETH	6/1/16	DRAWING NO.		600 Walkin Room	
PROPRIETARY AND CONFIDENTIAL THE INFORMATION CONTAINED IN THIS DRAWING IS THE SOLE PROPERTY OF DARWIN CHAMBERS CO. ANY REPRODUCTION IN ANY MANNER WITHOUT THE WRITTEN PERMISSION OF DARWIN CHAMBERS CO. IS PROHIBITED.		SCALE: 1/24		Rev 0	
DARWIN CHAMBERS CO.		SHEET 2 OF 2			