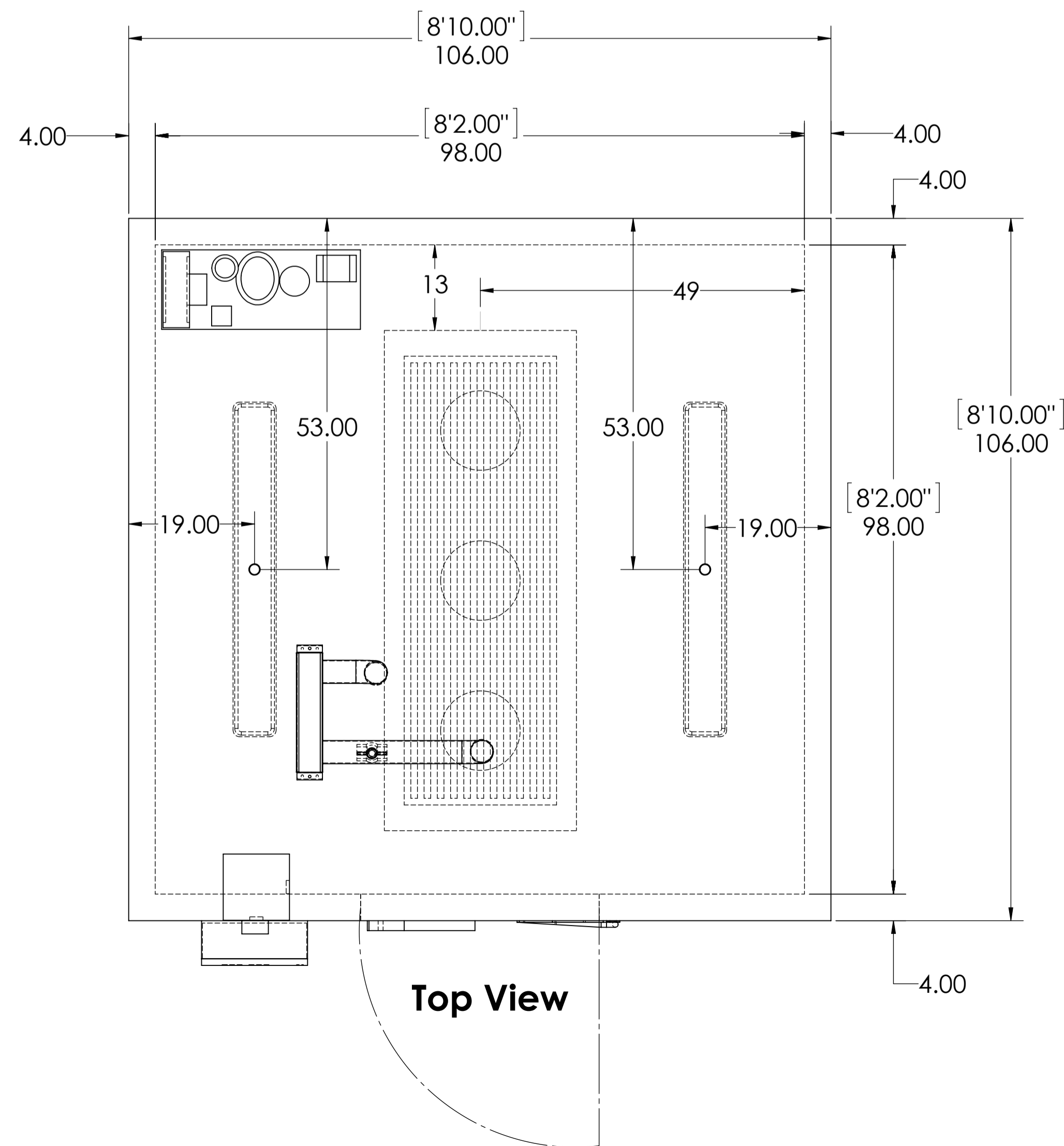
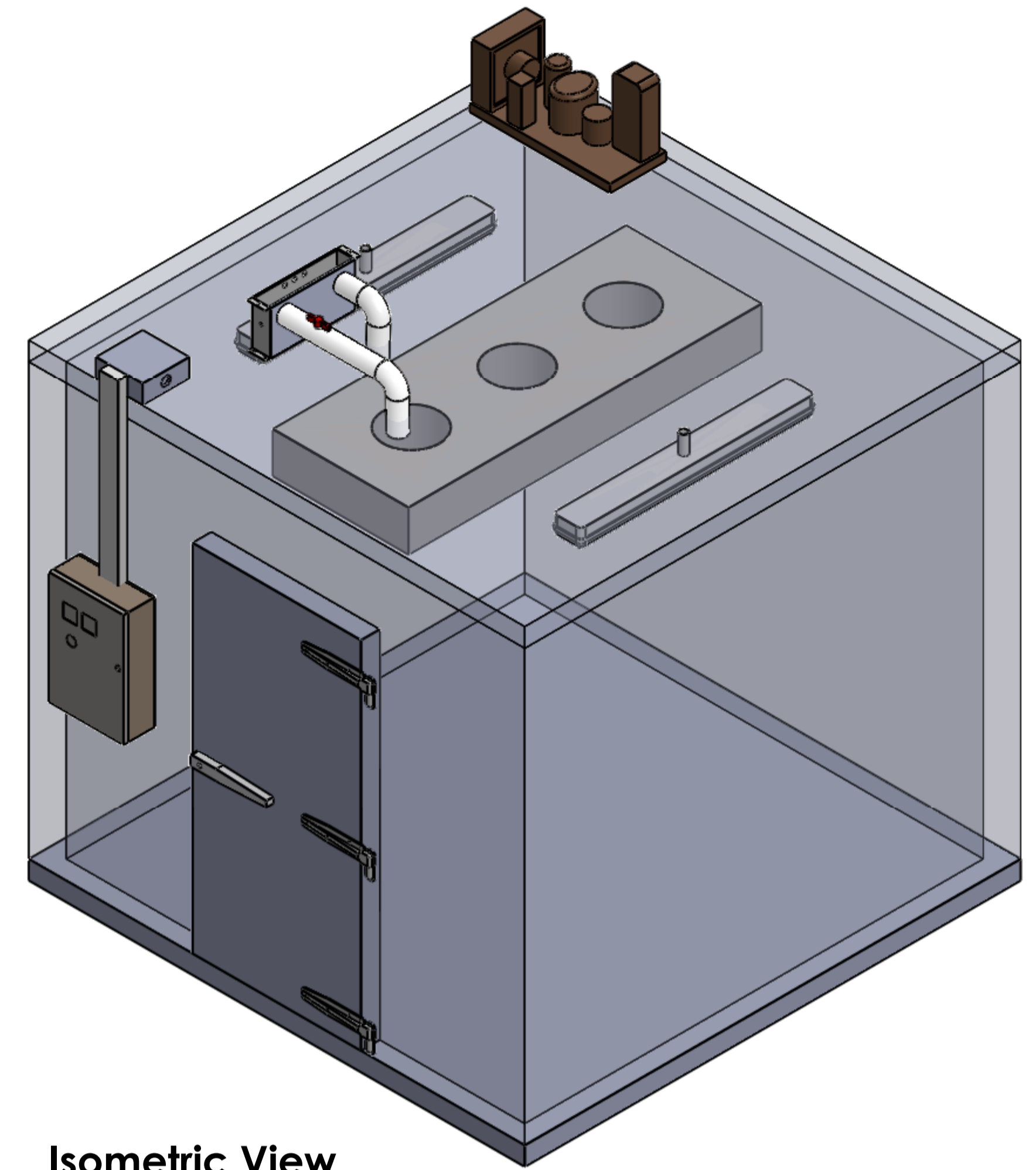


Front View



Top View



Isometric View

Item	Details
Exterior Material	Embossed white Galv
Interior Material	Embossed white Alum
Door Details	Door Dimension - 36" x80"
View Port details	Option Available
Ramp Details	Option Available
Other Notes:	

UNLESS OTHERWISE SPECIFIED:
DIMENSIONS ARE IN INCHES

NAME: Seth DATE: 6/1/16

DARWIN CHAMBERS CO.

TITLE:
600 Walkin Room

PROPRIETARY AND CONFIDENTIAL
THE INFORMATION CONTAINED IN THIS
DRAWING IS THE SOLE PROPERTY OF
DARWIN CHAMBERS CO. ANY
REPRODUCTION IN PART OR AS A WHOLE
WITHOUT THE WRITTEN PERMISSION OF
DARWIN CHAMBERS CO. IS PROHIBITED.

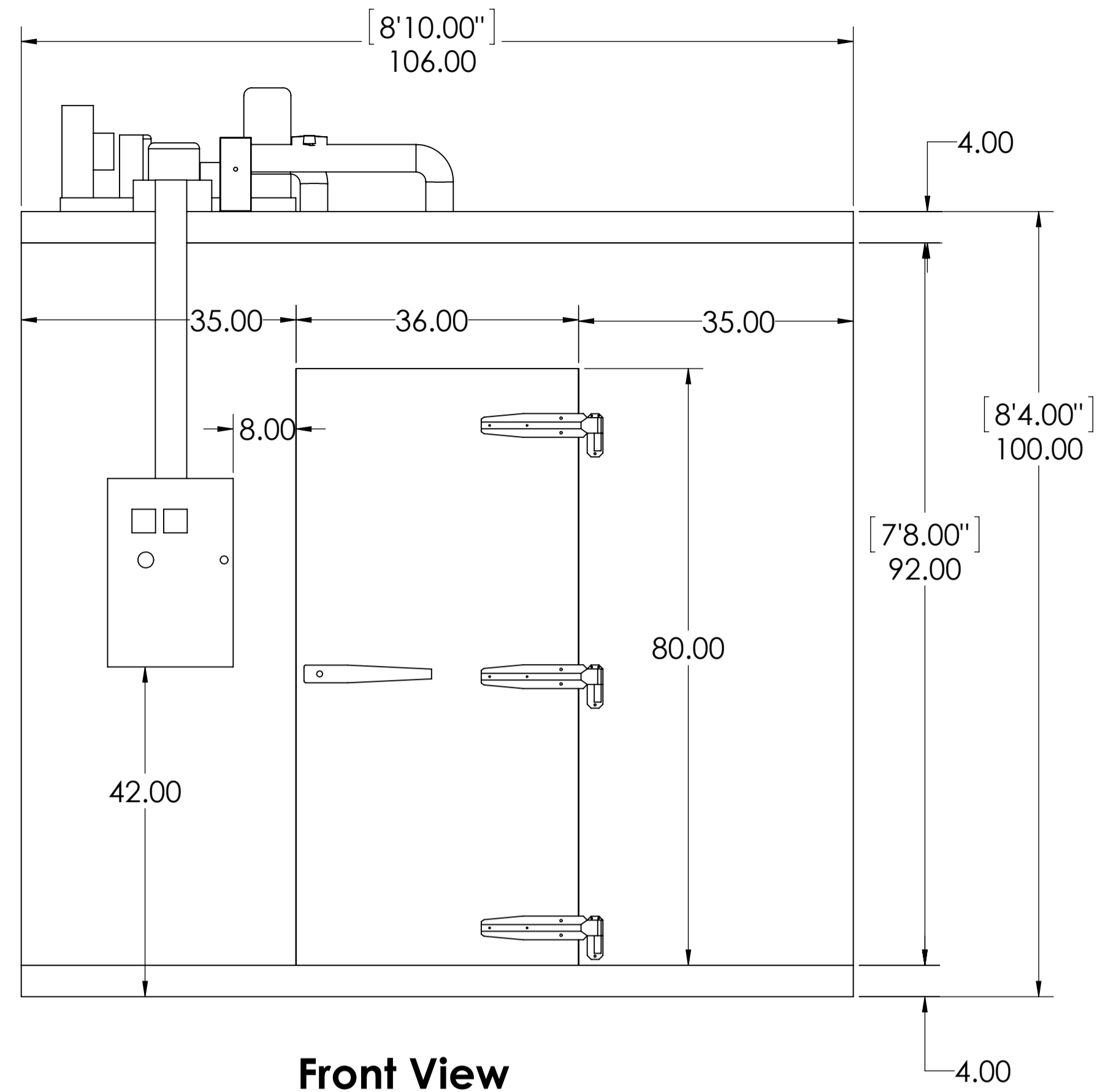
DWG NO.

Rev

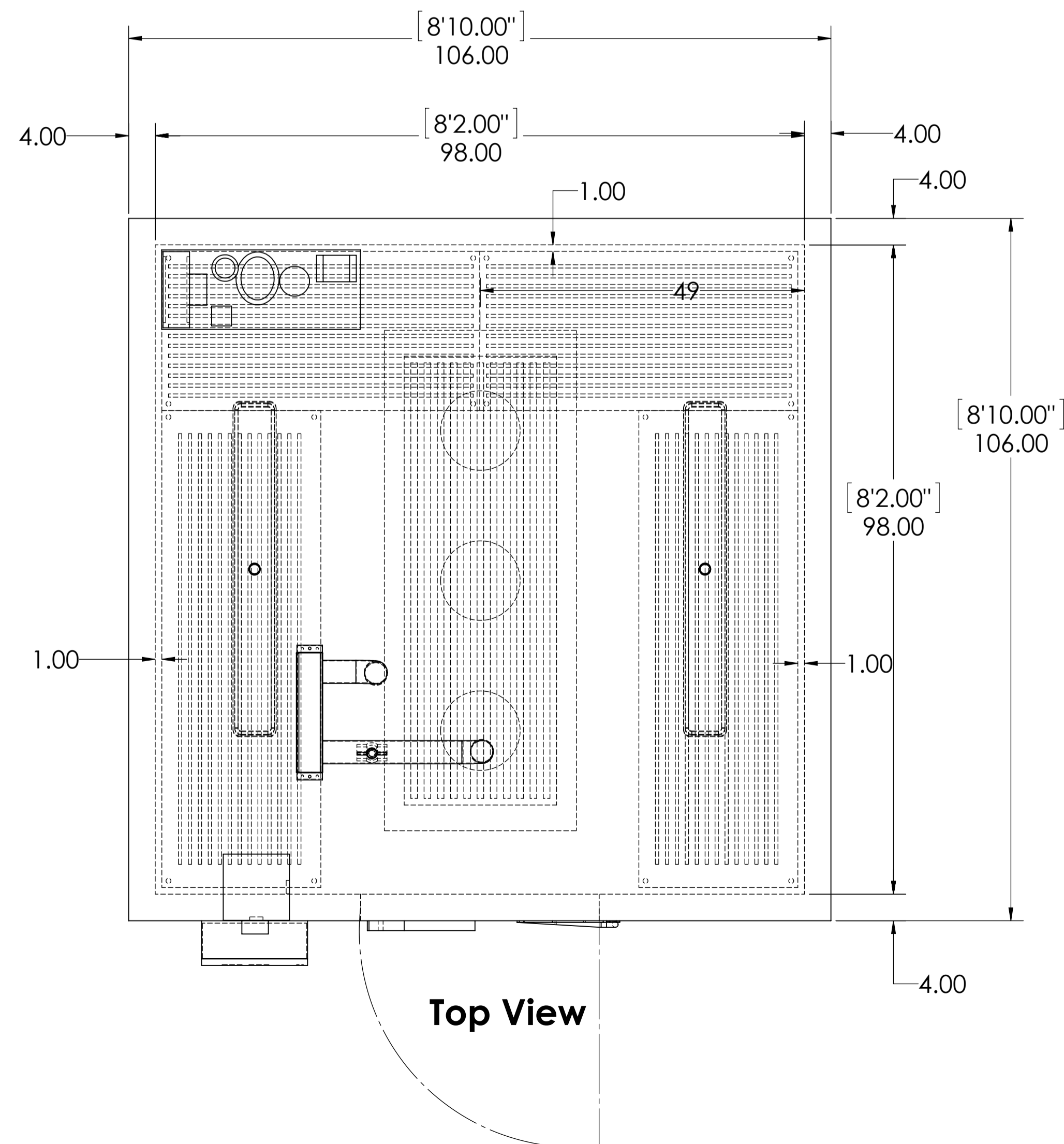
0

SCALE:1/24

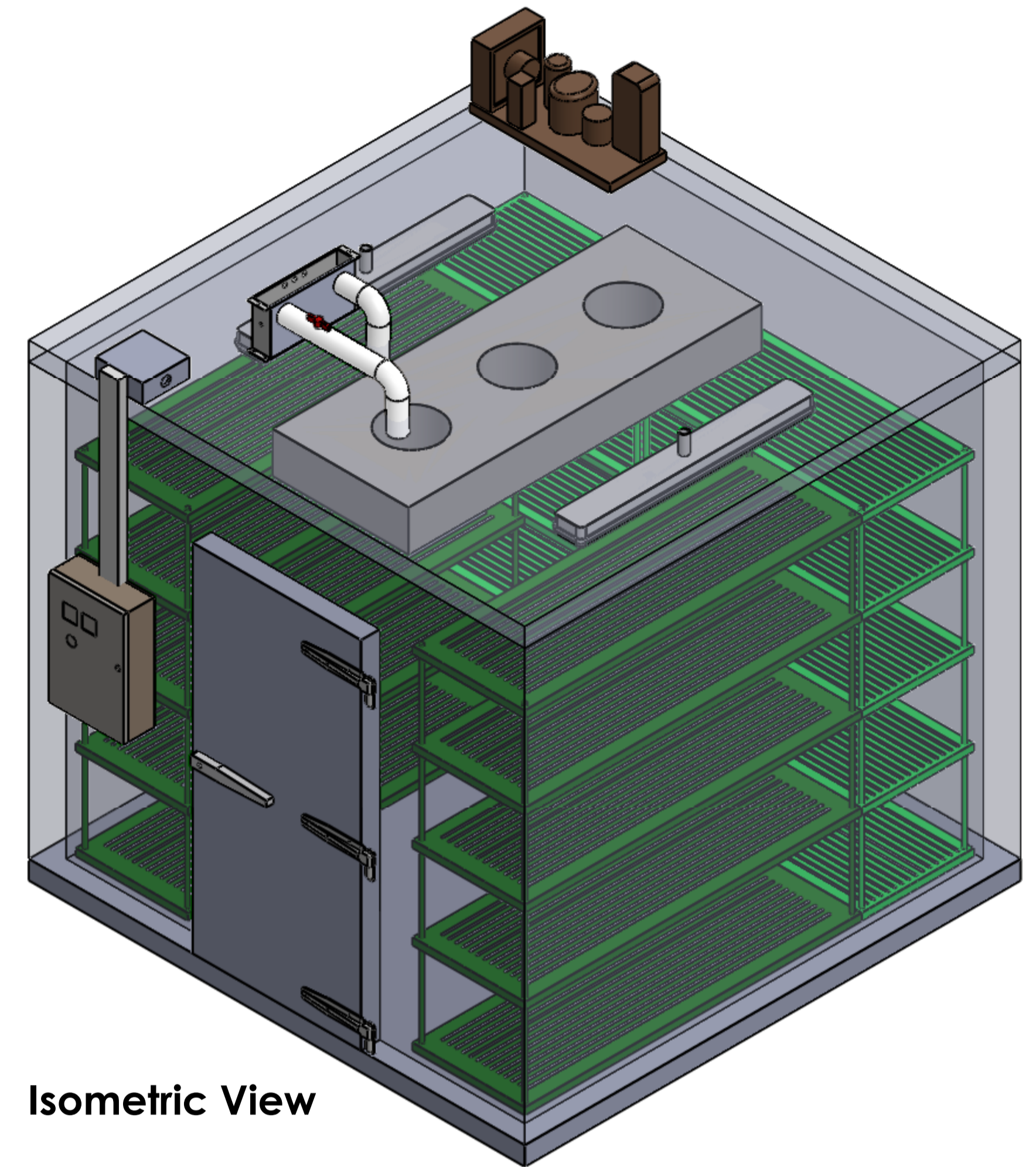
SHEET 1 OF 2



Front View



Top View



Isometric View

(Optional) Shelving Detail
 1. 2'x4' Shelving Units- 2 Qty(5 Tiers)
 2. 2'x6' Shelving Units- 2 Qty (5 Tiers)

Number of shelves
 1.2'x4' Shelves- 10 Qty
 2. 2'x6' Shelves- 10 Qty

Number of Poles- 16 Qty- 74" H.

Item	Details
Exterior Material	Embossed white Galv
Interior Material	Embossed white Alum
Door Details	Door Dimension - 36" x80"
View Port details	Option Available
Ramp Details	Option Available
Other Notes:	

UNLESS OTHERWISE SPECIFIED: DIMENSIONS ARE IN INCHES		DRAWING NO.		TITLE:	
NAME	DATE	DRAWING NO.		TITLE:	
SETH	6/1/16	DRAWING NO.		600 Walkin Room	
DRAWN		SCALE: 1/24		Rev 0	
		SHEET 2 OF 2			

DARWIN CHAMBERS CO.

PROPRIETARY AND CONFIDENTIAL
 THE INFORMATION CONTAINED IN THIS DRAWING IS THE SOLE PROPERTY OF DARWIN CHAMBERS CO. ANY REPRODUCTION IN ANY MANNER WITHOUT THE WRITTEN PERMISSION OF DARWIN CHAMBERS CO. IS PROHIBITED.