

Darwin Chambers Company

http://www.darwinchambers.com

Phone: 314-771-3111

PH085 STABILITY CHAMBER



Updated 1/15/05

SPECS:

(based upon 25°C/50% RH ambient)

| | |
|---|-----------------------------|
| Temperature Range | 20° - 60°C |
| Temperature Control | ±0.2°C |
| Temperature Uniformity | ±0.7°C |
| Ambient Temperature Tolerance | 10°C - 28°C |
| Control Sensitivity | 0.1°C |
| Control Read Out | Actual and Set-Point Values |
| Sensor | NIST traceable Platinum RTD |
| Controllers | Microprocessor PID |
| Calibration Capability | Actual and Set Values |
| Humidity Range | Ambient - 90% |
| Humidity Range with Optional Dehumidification | 15-90% |
| Control of Humidity at Sensor | ±0.5% |
| Humidity Uniformity | ±1.0% |
| Incubator Alarm | Audible and Visible |
| Alarm Type | Absolute Hi/Lo in 0.1° |
| Remote Monitoring | Available |
| Electrical Requirements | 115v, 60 Hz, 15 amps |
| Interior Cubic Feet | 85 |
| Required Clearance | 1" All Sides |

CABINET CONSTRUCTION:

- Exterior - 300 series stainless steel front, shroud and doors.
- 300 series stainless steel exterior ends, top, back, and bottom.
- Interior - 300 series stainless steel interior cabinet side walls, back, door liner and floor. Construction of liner in accordance with NSF standards.
- Cabinet mounted on a welded, galvanized frame rail, enamel dipped and baked for permanent bond on all surfaces, provides additional corrosion protection. Frame rail fitted with 4" diameter polyolefin castors, (front castors include brakes).

DOORS:

- 300 series stainless steel exterior with 300 series stainless steel interior to match cabinet liner. Doors extend full width of cabinet shell. Door gaskets of one piece construction.
- Lifetime guaranteed adjustable torsion type closure system with extruded aluminum and stainless steel supports. The face of each door fitted with a 12" long recessed handle with interlock (lifetime guarantee on all handles and door hardware). Handles are foamed-in-place to insure permanent attachment. Barrel locks standard. Locks keyed alike.

INSULATION:

- Entire cabinet structure and doors insulated using foamed-in-place CFC free polyurethane foam.

SHELVING:

- Adjustable wire shelves (3 per door). Shelves capable of supporting up to 250 lbs.

LIGHTING:

- Incandescent interior lighting. Light(s) activated by rocker switch mounted above door(s).

COOLING SYSTEM:

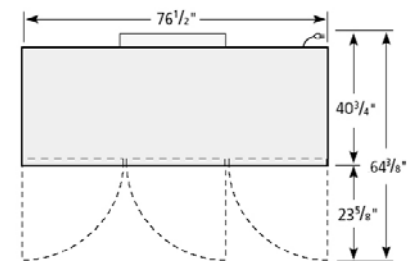
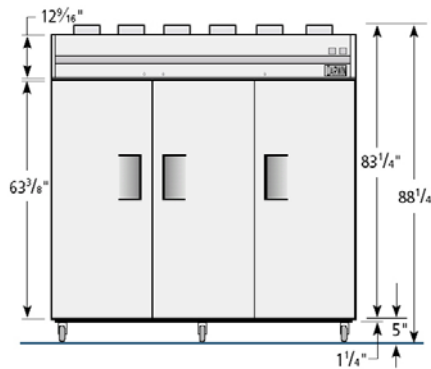
- Top mounted, thermoelectric cooling system.
- Peltier based technology is solid state, highly efficient, and reliable.
- Semi-Redundant cooling capability.
- Cooling surfaces act as dehumidifying modules at 25°C/60%RH and 30°C/65%RH

HUMIDITY CONTROL:

- NIST traceable Vaisala humidity sensor with certificate.
- Solid State controlled, Ultrasonic humidifier with ceramic/titanium disk for long life.

ELECTRICAL CHARACTERISTICS:

- Unit completely pre-wired at factory, and ready for final connection to a 115/60/1 phase - 15 amp dedicated outlet. A cord and plug set to be included.
- A sole use circuit is required.



ROUGH-IN DATA

| Model # | Doors | Capacity | # of Shelves | Length | Depth | Height | Phase | Amps | Nema | Cord Length | Crated Weight |
|---------|-------|------------|--------------|------------------|-------------------|----------------|-------|------|------|-------------|---------------|
| PH085 | 3 | 85 Cu. Ft. | 9 | 76.5" 194.3cm | 40.75" 103.5cm | 88.3" 224cm | 1 | 15 | 5-15 | 9' | 760 lbs. |