

# Darwin Chambers Company

<http://www.darwinchambers.com>

Phone: 314-771-3111

## H56 INCUBATOR



Updated 1/22/05

### SPECS:

Temperature Range	Ambient +5° - 60°C
Temperature Control	±0.2°C
Temperature Uniformity	±1.0°C
Ambient Temperature Tolerance	17°C - 30°C
Control Sensitivity	0.1°C
Control Read Out	Actual and Set-Point Values
Sensor	NIST traceable Platinum RTD
Controller	Microprocessor based PID
Calibration Capability	Yes, actual and set values
Incubator Alarm	Audible and visible
Alarm Type	Absolute Hi/Lo in 0.1°C increments
Remote Monitoring	Available
Electrical Requirements	115v, 60 Hz, 12 amps
Interior Cubic Feet	56
Required Clearance	1" all sides

### CABINET CONSTRUCTION:

- 300 series stainless steel exterior with 300 series stainless steel interior to match cabinet liner.
- Doors extend full width of cabinet shell.
- Barrel lock standard for each door. Locks keyed alike.
- Cabinet mounted on a welded, galvanized frame rail, painted for additional corrosion protection.
- Frame rail fitted with 4" diameter casters, front casters include brakes).

### DOORS:

- 300 series stainless steel exterior with interior to match cabinet liner. Doors extend full width of cabinet shell. Door gaskets of one piece construction.
- Lifetime guaranteed adjustable torsion type closure system with aluminum block supports.
- The face of each door fitted with a 12" long recessed handle with sheetmetal interlock. Handles are foamed-in-place to insure permanent attachment.
- Glass doors available.

### INSULATION:

- Entire cabinet structure and doors insulated using foamed-in-place CFC free polyurethane foam.

### SHELVING:

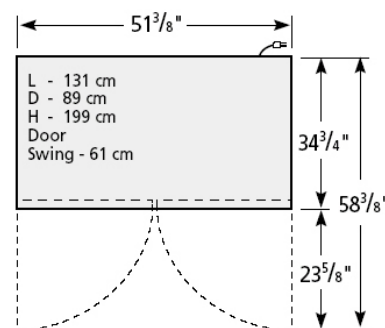
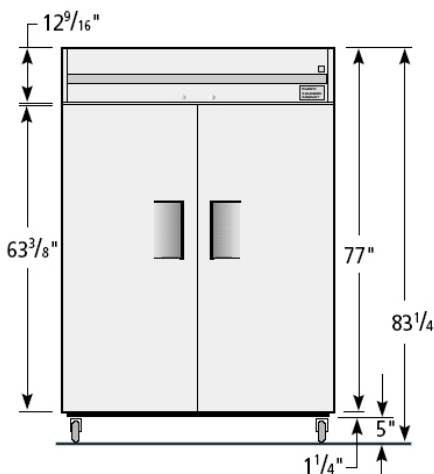
- Adjustable chrome plated stainless wire shelves (3 per door). Shelves capable of supporting up to 250 lbs.

### LIGHTING:

- Incandescent interior lighting. Light(s) activated by rocker switch mounted above door(s).

### ELECTRICAL CHARACTERISTICS:

- Unit completely pre-wired at factory, and ready for final connection to a 115/60/1 phase - 15 amp dedicated outlet.
- A cord and plug set to be included.
- A sole use circuit is required.



## ROUGH-IN DATA

Model #	Doors	Capacity	# of Shelves	Length	Depth	Height	Phase	Amps	Nema	Cord Length	Crated Weight
H56	2	56 Cu. Ft.	6	51.2" / 131cm	34.75" / 89cm	83.25" / 211.5cm	1	12	5-15	9'	420 lbs.