

Darwin Chambers Company

http://www.darwinchambers.com

Phone: 314-771-3111

H31 INCUBATOR



Updated 1/23/05

SPECS:

Temperature Range	Ambient +5° - 60°C
Temperature Control	±0.2°C
Temperature Uniformity	±1.0°C
Ambient Temperature Tolerance	17°C - 30°C
Control Sensitivity	0.1°C
Control Read Out	Actual and Set-Point Values
Sensor	NIST Traceable Platinum-RTD
Controller	Microprocessor based PID
Calibration Capability	Yes, actual and set
Incubator Alarm	Audible and visible
Alarm Type	Absolute Hi/Lo in 0.1°C increments
Remote Monitoring	Available
Electrical Requirements	115v, 60 Hz, 10 amps
Interior Cubic Feet	31
Required Clearance	1" all sides

CABINET CONSTRUCTION:

- Exterior - 300 series stainless steel front, shroud and doors. 300 series stainless steel exterior ends, top, back, and bottom.
- Interior - 300 series stainless steel interior cabinet side walls, back, door liner and floor. Construction of liner in accordance with NSF standards.
- Barrel locks standard. Locks keyed alike.
- Cabinet mounted on a welded, galvanized frame rail, enamel dipped and baked for permanent bond on all surfaces, provides additional corrosion protection.
- Frame rail fitted with 4" diameter polyolefin casters, (front casters include brakes).

DOORS:

- 300 series stainless steel exterior with 300 series stainless steel interior to match cabinet liner. Doors extend full width of cabinet shell. Door gaskets of one piece construction.
- Glass doors available.
- Lifetime guaranteed adjustable torsion type closure system with extruded aluminum and stainless steel supports.
- The face of each door fitted with a 12" long recessed handle with interlock (lifetime guarantee on all handles and door hardware). Handles are foamed-in-place to insure permanent attachment.

INSULATION:

- Entire cabinet structure and doors insulated using foamed-in-place CFC free polyurethane foam.

SHELVING:

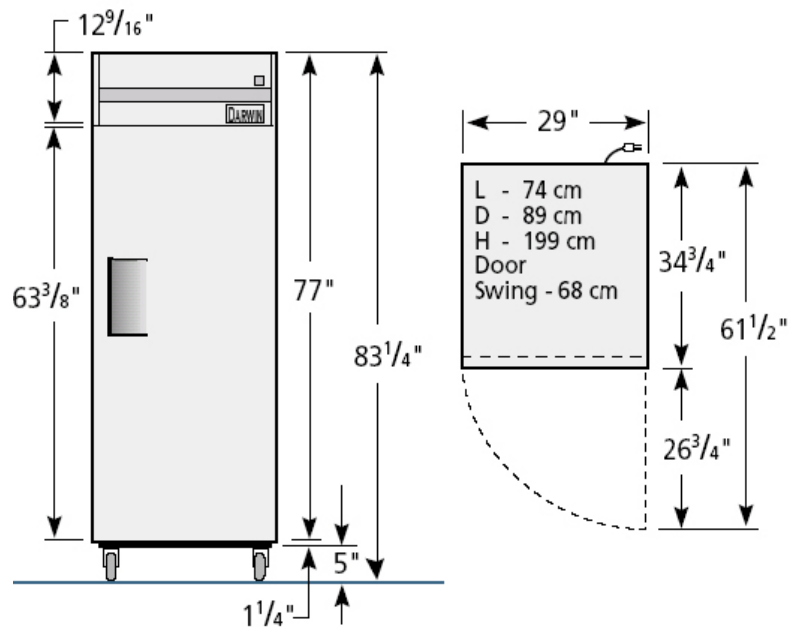
- Adjustable wire shelves (3 per door). Shelves capable of supporting up to 250 lbs.

LIGHTING:

- Incandescent interior lighting. Light(s) activated by rocker switch mounted above door(s).

ELECTRICAL CHARACTERISTICS:

- Unit completely pre-wired at factory, and ready for final connection to a 115/60/1 phase - 15 amp dedicated outlet.
- A cord and plug set to be included.
- A sole use circuit is required.



ROUGH-IN DATA

Model #	Doors	Capacity Cu. Ft./L	# of Shelves	Length	Depth	Height (no casters)	Phase	Amps @ 115 V	Nema	Cord Length	Crated Weight
H31	1	31 Cu. Ft.	3	29"	34 3/4"	78 1/4"	1	10	5-15P	9'	280 lbs.