

# Darwin Chambers Company

http://www.darwinchambers.com

Phone: 314-771-3111

## DB074 INCUBATOR



Updated 1/22/05

### SPECS:

(AT 25 °C/50% RH)

Temperature Range 4° - 60°C

Temperature Control ±0.2°C

Temperature Uniformity ±1.0°C

Ambient Temperature Tolerance 17°C - 30°C

Control Sensitivity 0.1°C

Control Read Out Actual and Set-Point Values

Sensor NIST traceable Platinum RTD

Controller Microprocessor based PID

Calibration Capability Yes, actual and set values

Incubator Alarm Audible and visible

Alarm Type Absolute Hi/Lo in 0.1°C increments

Remote Monitoring Available

Electrical Requirements 115v, 60 Hz, 16 amps

Interior Cubic Feet 74

Required Clearance 1" all sides

### CABINET CONSTRUCTION:

- 300 series stainless steel front grill, shroud and doors. Anodized quality aluminum exterior ends and back.
- Interior - INSF approved, white vinyl coated aluminum and 300 series stainless floor with coved corners.
- Barrel lock standard for each door. Locks keyed alike.
- Cabinet mounted on a welded, galvanized frame rail, painted for additional corrosion protection.
- Frame rail fitted with 4" diameter castors, (front castors include brakes).

### DOORS:

- 300 series stainless steel exterior with interior to match cabinet liner. Doors extend full width of cabinet shell. Door gaskets of one piece construction.
- Lifetime guaranteed adjustable torsion type closure system with aluminum block supports. The face of each door fitted with a 12" long recessed handle with sheetmetal interlock. Handles are foamed-in-place to insure permanent attachment.
- Glass doors available.

### INSULATION:

- Entire cabinet structure and doors insulated using foamed-in-place CFC free polyurethane foam.

### SHELVING:

- Adjustable vinyl coated wire shelves (3 per door). Shelves capable of supporting up to 250 lbs.
- Full height shelf support pilasters, with double oblong holes on 1/2" centers. Pilasters made of the same material as cabinet interior.

### LIGHTING:

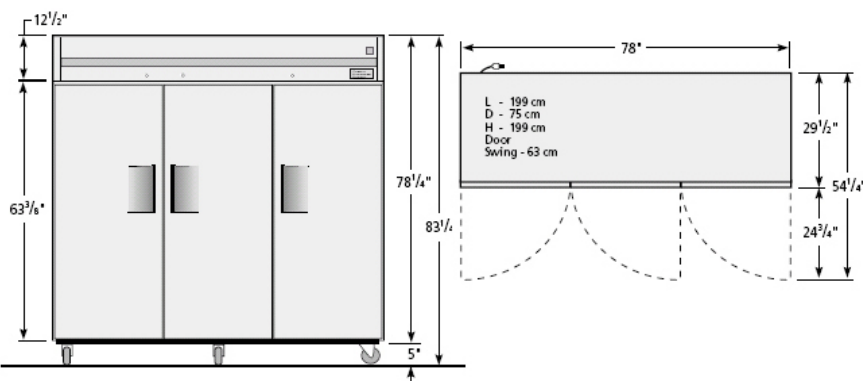
- Incandescent interior lighting. Light(s) activated by rocker switch mounted above door(s).

### REFRIGERATION SYSTEM:

- Refrigeration system factory balanced using CFC free 134A refrigerant.
- Top mounted condensing unit.
- Factory pre-engineered capillary tube system with oversized condenser and evaporator to reduce product pull down time and to consistently maintain interior cabinet temperature (non-adjustable capillary tube system superior to problematic expansion valve).
- Evaporator - epoxy coated at the time of manufacture to eliminate the potential of corrosion.
- Unsurpassed temperature control through continuous refrigeration bypass system.

### ELECTRICAL CHARACTERISTICS:

- Unit completely pre-wired at factory, and ready for final connection to a 115/60/1 phase - 20 amp dedicated outlet. A cord and plug set to be included.



• A sole use circuit is required.

## ROUGH-IN DATA

Model #	Doors	Capacity	# of Shelves	Length	Depth	Height	Phase	Amps	Nema	Cord Length	Crated Weight
DB074	3	74 Cu. Ft.	9	78" 199cm	29.5" 75cm	83.2" 211.5cm	1	16	5-20	9'	500 lbs.